

# ATEX Compliant ISO Cylinder

## Standard: Double Acting, Single Rod

# Series 55-C96

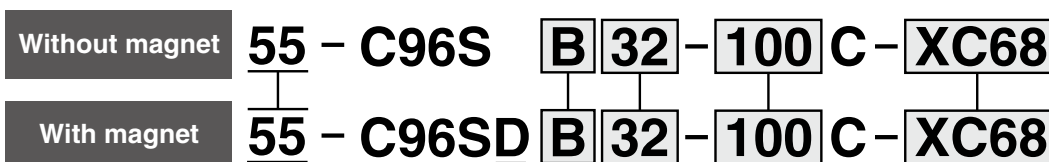
ø32, ø40, ø50, ø63, ø80, ø100



CE II 2G Ex h IIC T6..T5 Gb  
II 2D Ex h IIIC T80°C..T100°C Db

For the ø125, refer to page 45-1.

### How to Order



ATEX category 2

Built-in magnet for auto switch

#### Mounting

<b>B</b>	Basic/without bracket
<b>L</b>	Axial foot
<b>F</b>	Rod side flange
<b>G</b>	Head side flange
<b>C</b>	Single clevis
<b>D</b>	Double clevis
<b>T</b>	Centre trunnion

#### Bore size

<b>32</b>	32 mm
<b>40</b>	40 mm
<b>50</b>	50 mm
<b>63</b>	63 mm
<b>80</b>	80 mm
<b>100</b>	100 mm

#### Made to Order

<b>Nil</b>	Standard
<b>XA</b> □□	Change of rod end shape
<b>XC4</b>	With heavy duty scraper (ø32 to ø100)
<b>XC7</b>	Tie-rod, cushion valve, tie-rod nut, etc. made of stainless steel
<b>XC14</b> □*	Change of trunnion bracket mounting position
<b>XC22</b>	Fluororubber seals
<b>XC65</b>	Made of Stainless Steel (Combination of XC7 and XC68)
<b>XC68</b>	With chrome plated stainless steel piston rod and stainless steel nut
<b>XC85</b>	Grease for food processing equipment

\* Simple specials part no. except for XC14A or B.

#### Cylinder stroke (mm)

Bore size (mm)	Standard stroke (mm)	Standard max. stroke*	XC65, XC68 Max. stroke
<b>32</b>	25, 50, 80, 100, 125, 160, 200, 250, 320, 400, 500	1000	1000
<b>40</b>	25, 50, 80, 100, 125, 160, 200, 250, 320, 400, 500	1900	1700
<b>50</b>	25, 50, 80, 100, 125, 160, 200, 250, 320, 400, 500, 600	1900	1700
<b>63</b>	25, 50, 80, 100, 125, 160, 200, 250, 320, 400, 500, 600	1900	1700
<b>80</b>	25, 50, 80, 100, 125, 160, 200, 250, 320, 400, 500, 600, 700, 800	1900	1700
<b>100</b>	25, 50, 80, 100, 125, 160, 200, 250, 320, 400, 500, 600, 700, 800	1900	1700

Intermediate strokes are available.

\* Please consult with SMC for longer strokes.

All other specifications are the same as the standard products Series C96.  
[Click here](#) for details.

Refer to page 69 for applicable auto switches.

# ATEX Compliant ISO Cylinder

## Standard: Double Acting, Single Rod

# Series 55-C96

## ø125



CE II 2G h IIC T5..T4 Gb  
II 2D h IIC T86°C..T106°C Db

For the ø32, ø40, ø50, ø63, ø80, and ø100, refer to page 45.

### How to Order

Without magnet **55 - C96S** **B** **125** - **100** - **XC68**

With magnet **55 - C96SD** **B** **125** - **100** - **XC68**

ATEX category 2

Built-in magnet for auto switch

#### Mounting

<b>B</b>	Basic/without bracket
<b>L</b>	Axial foot
<b>F</b>	Rod side flange
<b>G</b>	Head side flange
<b>C</b>	Single clevis
<b>D</b>	Double clevis
<b>T</b>	Centre trunnion

#### Bore size

<b>125</b>	125 mm
------------	--------

#### Made to Order

Nil	Standard
<b>XA</b> □□	Change of rod end shape
<b>XC7</b>	Tie-rod, cushion valve, tie-rod nut, etc. made of stainless steel
<b>XC14</b> □*	Change of trunnion bracket mounting position
<b>XC18</b>	NPT ports
<b>XC22</b>	Fluororubber seals
<b>XC68</b>	With chrome plated stainless steel piston rod and stainless steel nut

\* Simple specials part no. except for XC14A or B.

#### Cylinder stroke (mm)

Bore size (mm)	Standard max. stroke*	<b>XC68</b> Max. stroke
<b>125</b> **	2000	1600

Intermediate strokes are available.

\* Please consult with SMC for longer strokes.

\*\* ø125 are produced upon receipt of order.

All other specifications are the same as the standard products Series C96.  
[Click here](#) for details.

Refer to page 69 for applicable auto switches.

# ATEX Compliant ISO Cylinder

## Standard: Double Acting, Double Rod

# Series 55-C96W

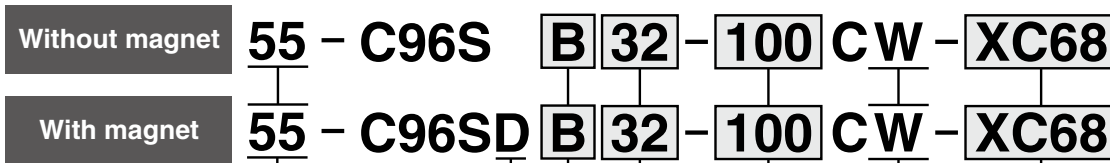
ø32, ø40, ø50, ø63, ø80, ø100



CE II 2G Ex h IIC T6..T5 GD  
II 2D Ex h IIIC T80°C..T100°C Db

For the ø125, refer to page 46-1.

### How to Order



ATEX category 2

Built-in magnet for auto switch

#### Mounting

<b>B</b>	Basic/without bracket
<b>L</b>	Axial foot
<b>F</b>	Rod side flange
<b>T</b>	Centre trunnion

#### Bore size

<b>32</b>	32 mm
<b>40</b>	40 mm
<b>50</b>	50 mm
<b>63</b>	63 mm
<b>80</b>	80 mm
<b>100</b>	100 mm

#### Made to Order

<b>Nil</b>	Standard
<b>XA</b> □□	Change of rod end shape
<b>XC4</b>	With heavy duty scraper (ø32 to ø100)
<b>XC7</b>	Tie-rod, cushion valve, tie-rod nut, etc. made of stainless steel
<b>XC14</b> □*	Change of trunnion bracket mounting position
<b>XC22</b>	Fluororubber seals
<b>XC65</b>	Made of Stainless Steel (Combination of XC7 and XC68)
<b>XC68</b>	With chrome plated stainless steel piston rod and stainless steel nut
<b>XC85</b>	Grease for food processing equipment

\* Simple specials part no. except for XC14A or B.

#### Rod

<b>W</b>	Double rod
----------	------------

#### Cylinder stroke (mm)

Bore size (mm)	Standard stroke (mm)	Max. stroke*
<b>32</b>	25, 50, 80, 100, 125, 160, 200 250, 320, 400, 500	1000
<b>40</b>	25, 50, 80, 100, 125, 160, 200 250, 320, 400, 500	1000
<b>50</b>	25, 50, 80, 100, 125, 160, 200 250, 320, 400, 500, 600	1000
<b>63</b>	25, 50, 80, 100, 125, 160, 200 250, 320, 400, 500, 600	1000
<b>80</b>	25, 50, 80, 100, 125, 160, 200 250, 320, 400, 500, 600, 700, 800	1000
<b>100</b>	25, 50, 80, 100, 125, 160, 200 250, 320, 400, 500, 600, 700, 800	1000

Intermediate strokes are available.

\* Please consult with SMC for longer strokes.

All other specifications are the same as the standard products Series C96W.  
[Click here](#) for details.

Refer to page 69 for applicable auto switches.

# ATEX Compliant ISO Cylinder

## Standard: Double Acting, Double Rod

# Series 55-C96W

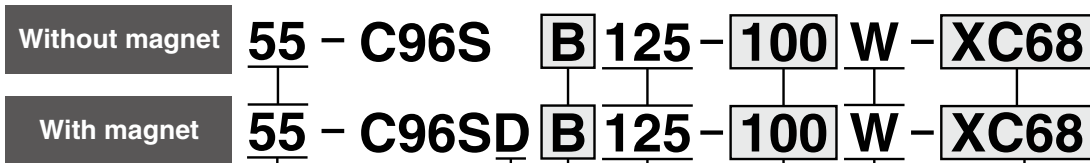
Ø125



CE II 2G h IIC T5..T4 Gb  
II 2D h IIC T86°C..T106°C Db

For the Ø32, Ø40, Ø50, Ø63, Ø80, and Ø100, refer to page 46.

### How to Order



ATEX category 2

Built-in magnet for auto switch

#### Mounting

<b>B</b>	Basic/without bracket
<b>L</b>	Axial foot
<b>F</b>	Rod side flange
<b>T</b>	Centre trunnion

#### Bore size

<b>125</b>	125 mm
------------	--------

#### Rod

<b>W</b>	Double rod
----------	------------

#### Made to Order

<b>Nil</b>	Standard
<b>XA</b> □□	Change of rod end shape
<b>XC7</b>	Tie-rod, cushion valve, tie-rod nut, etc. made of stainless steel
<b>XC14</b> □*	Change of trunnion bracket mounting position
<b>XC18</b>	NPT ports
<b>XC22</b>	Fluororubber seals
<b>XC68</b>	With chrome plated stainless steel piston rod and stainless steel nut

\* Simple specials part no. except for XC14A or B.

#### Cylinder stroke (mm)

Bore size (mm)	Max. stroke*
<b>125</b> **	1000

Intermediate strokes are available.

\* Please consult with SMC for longer strokes.

\*\* Ø125 are produced upon receipt of order.

All other specifications are the same as the standard products Series C96W.  
[Click here](#) for details.

Refer to page 69 for applicable auto switches.

# ATEX Compliant ISO Cylinder

## Non-rotating Type: Double Acting, Single Rod

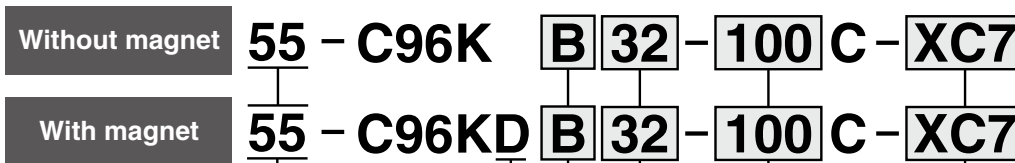
# Series 55-C96K

Ø32, Ø40, Ø50, Ø63, Ø80, Ø100



CE II 2G Ex h IIC T6..T5 Gb  
II 2D Ex h IIC T80°C..T100°C Db

### How to Order



ATEX category 2

Built-in magnet for auto switch

#### Mounting

<b>B</b>	Basic/without bracket
<b>L</b>	Axial foot
<b>F</b>	Rod side flange
<b>G</b>	Head side flange
<b>C</b>	Single clevis
<b>D</b>	Double clevis
<b>T</b>	Centre trunnion

#### Cylinder stroke (mm)

Bore size (mm)	Maximum stroke (mm)
32	500
40	500
50	600
63	600
80	800
100	800

#### Bore size

<b>32</b>	32 mm
<b>40</b>	40 mm
<b>50</b>	50 mm
<b>63</b>	63 mm
<b>80</b>	80 mm
<b>100</b>	100 mm

#### Made to Order

Nil	Standard
XC7	Tie-rod, cushion valve, tie-rod nut, etc. made of stainless steel

All other specifications are the same as the standard products Series C96.  
[Click here](#) for details.

Refer to page 69 for applicable auto switches.

# ATEX Compliant ISO Cylinder

## Non-rotating Type: Double Acting, Double Rod

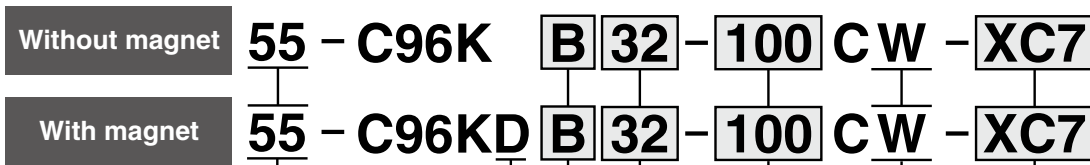
# Series 55-C96KW

Ø32, Ø40, Ø50, Ø63, Ø80, Ø100



CE II 2G Ex h IIC T6..T5 Gb  
II 2D Ex h IIIC T80°C..T100°C Db

### How to Order



ATEX category 2

Built-in magnet for auto switch

Mounting

<b>B</b>	Basic/without bracket
<b>L</b>	Axial foot
<b>F</b>	Rod side flange
<b>T</b>	Centre trunnion

Bore size

<b>32</b>	32 mm
<b>40</b>	40 mm
<b>50</b>	50 mm
<b>63</b>	63 mm
<b>80</b>	80 mm
<b>100</b>	100 mm

Made to Order

<b>Nil</b>	Standard
<b>XC7</b>	Tie-rod, cushion valve, tie-rod nut, etc. made of stainless steel

Rod

<b>W</b>	Double rod
----------	------------

Cylinder stroke (mm)

Bore size (mm)	Maximum stroke (mm)
<b>32</b>	500
<b>40</b>	500
<b>50</b>	600
<b>63</b>	600
<b>80</b>	800
<b>100</b>	800

All other specifications are the same as the standard products Series C96W.  
[Click here](#) for details.

Refer to page 69 for applicable auto switches.

# ATEX Compliant ISO Cylinder

Smooth cylinder: Double Acting, Single Rod

# Series 55-C96Y

Ø32, Ø40, Ø50, Ø63, Ø80, Ø100



CE II 2G Ex h IIC T6..T5 Gb  
II 2D Ex h IIIC T80°C..T100°C Db

## How to Order

Without magnet **55 - C96Y** **B** **32** - **100** **C**  
 With magnet **55 - C96YD** **B** **32** - **100** **C**

ATEX category 2

Built-in magnet for auto switch

### Mounting

<b>B</b>	Basic/without bracket
<b>L</b>	Axial foot
<b>F</b>	Rod side flange
<b>G</b>	Head side flange
<b>C</b>	Single clevis
<b>D</b>	Double clevis
<b>T</b>	Centre trunnion

### Bore size

<b>32</b>	32 mm
<b>40</b>	40 mm
<b>50</b>	50 mm
<b>63</b>	63 mm
<b>80</b>	80 mm
<b>100</b>	100 mm

### Cylinder stroke (mm)

Bore size (mm)	Maximum stroke (mm)
<b>32</b>	800
<b>40</b>	800
<b>50</b>	1000
<b>63</b>	1000
<b>80</b>	1000
<b>100</b>	1000

All other specifications are the same as the standard products Series C96.  
[Click here](#) for details.

Refer to page 69 for applicable auto switches.

# ATEX Compliant ISO Cylinder

## Smooth cylinder: Double Acting, Single Rod

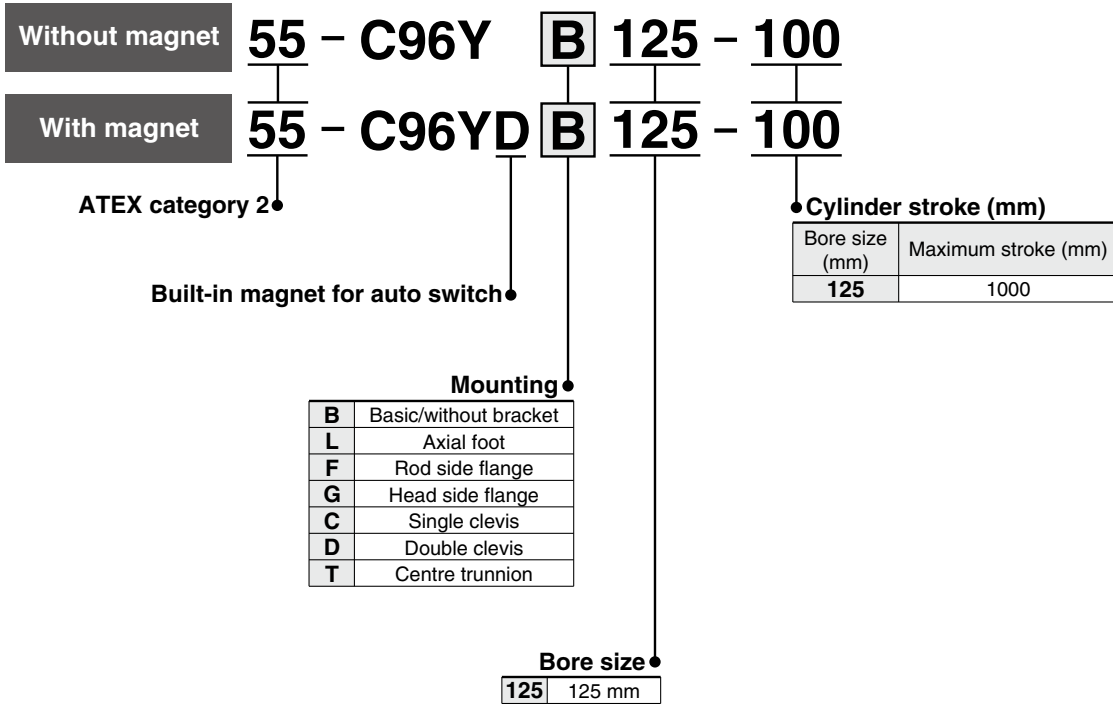
# Series 55-C96Y

Ø125



CE II 2G h IIC T5..T4 Gb  
II 2D h IIIC T86°C..T106°C Db

### How to Order



All other specifications are the same as the standard products Series C96.  
[Click here](#) for details.

Refer to page 69 for applicable auto switches.