

**Plug-in**

# JSY1000/3000/5000 Series

Note) 2-position double and manual override with locking function (D, E type) are excluded, because they don't comply with safety standard.

## How to Order

**JSY1000 Series**

JSY 1 1 0 0 □ T - 5 Z □

**JSY3000/5000 Series**

JSY 3 1 0 0 □ □ - 5 Z □

① ② ③ ④ ⑤ ⑥ ⑦ ⑧

• Base mounted

### ① Series

1	JSY1000
3	JSY3000
5	JSY5000

### ② Type of actuation

1	2-position	Single
3	3-position	Closed center
4		Exhaust center
5		Pressure center
A	4-position dual 3-port	N.C./N.C.
B		N.O./N.O.
C		N.C./N.O.

### ③ Pilot valve exhaust method

0	Pilot valve individual exhaust
---	--------------------------------

### ④ Pilot type

Nil	Internal pilot
R	External pilot

\* External pilot specification is not applicable for 4-position dual 3-port valves

### ⑤ Coil type

Nil	Standard
T	With power saving circuit (Continuous duty type)

### ⑥ Rated voltage

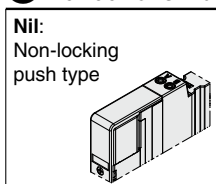
5	24 VDC
---	--------

### ⑦ Light/surge voltage suppressor and common specification

Symbol	With light	Surge voltage suppressor	Common specification
U			Non-polar
Z	●	●	Positive common
NZ			Negative common

\* Only "Z" and "NZ" types are available for the JSY1000 Series.

### ⑧ Manual override



## ⚠ Caution

If the JSY3000/5000 series will be continuously energized, please be sure to use the power saving circuit (continuous duty type).

Additionally, when it is used at the energizing rate over 50%, please select the product with power saving circuit.

For the JSY1000 series only the power saving circuit is available.

SMC validation products have been validated based on ISO 13849-2: 2012 Annex A, B & D.

Non Plug-in

# JSY1000/3000/5000 Series

Note) 2-position double and manual override with locking function (D, E type) are excluded, because they don't comply with safety standard.

## How to Order

JSY1000 Series

JSY 1 1 4 0 □ T - 5 L Z □

JSY3000/5000 Series

JSY 3 1 4 0 □ □ - 5 L Z □

① ② ③ ④ ⑤ ⑥ ⑦ ⑧ ⑨

### ① Series

1	JSY1000
3	JSY3000
5	JSY5000

### ② Type of actuation

1	2-position	Single
3	3-position	Closed center
4		Exhaust center
5		Pressure center
A	4-position dual 3-port	N.C./N.C.
B		N.O./N.O.
C		N.C./N.O.

### ③ Pilot valve exhaust method

0	Pilot valve individual exhaust
---	--------------------------------

### ④ Pilot type

Nil	Internal pilot
R	External pilot

\* External pilot specification is not applicable for 4-position dual 3-port valves

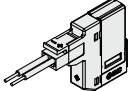
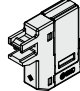

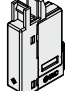
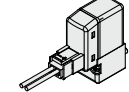
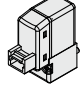


### ⑤ Coil type

Nil	Standard
T	With power saving circuit (Continuous duty type)

### ⑥ Rated voltage

5	24 VDC
---	--------

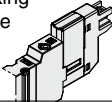
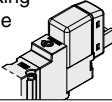
### ⑦ Electrical entry

	L plug connector		M plug connector	
	L	LO	M	MO
JSY1000	L: With lead wire (300 mm) 	LO: Without connector 	M: With lead wire (300 mm) 	MO: Without connector 
JSY3000/5000	L: With lead wire (300 mm) 	LO: Without connector 	M: With lead wire (300 mm) 	MO: Without connector 

### ⑧ Light/surge voltage suppressor

Z	With light/surge voltage suppressor
---	-------------------------------------

### ⑨ Manual override

JSY1000	Nil: Non-locking push type 
JSY3000/5000	Nil: Non-locking push type 

### ⚠ Caution

If the JSY3000/5000 series will be continuously energized, please be sure to use the power saving circuit (continuous duty type). Additionally, when it is used at the energizing rate over 50%, please select the product with power saving circuit. For the JSY1000 series only the power saving circuit is available.

SMC validation products have been validated based on ISO 13849-2: 2012 Annex A, B & D.