

Compact Type Parallel Style Air Gripper

25A-JMHZ2 Series

RoHS

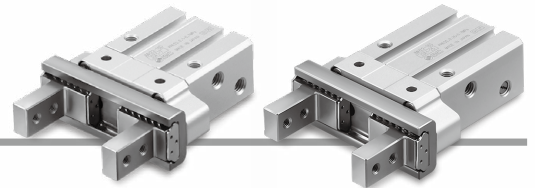
Compact Type Parallel Style Air Gripper/With Positioning Pins on the Lateral Mounting Surface

25A-JMHZ2-X6900(A, B) (Made to Order)

Compact Type Parallel Style Air Gripper/Lateral Auto Switch Mounting

25A-JMHZ2-X7460 (Made to Order)

ø8, ø12, ø16, ø20



How to Order

Bore Size

ø8 to ø20

25A-JMHZ2-16D-M9BW

Series compatible with secondary batteries

① ② ③ ④ ⑤ ⑥

① Number of fingers

2	2
---	---

② Bore size

8	8 mm
12	12 mm
16	16 mm
20	20 mm

③ Action

D	Double acting
---	---------------

④ Finger option

Nil	Standard
1	Side tapped mounting
2	Through-holes in opening/closing direction

⑤ Auto switch

Nil	Without auto switch (Built-in magnet)
-----	---------------------------------------

* [Click here](#) for details on applicable auto switch models.

⑥ Number of auto switches

Nil	2
S	1
n	n

* The 25A- series specifications and dimensions are the same as those of the standard model. For details, refer to the [Web Catalog](#).

Bore Size

ø8 to ø20
Made to Order

25A-JMHZ2-16D-M9BW-X6900A

Series compatible with secondary batteries

① ② ③ ④ ⑤ ⑥ ⑦

With positioning pins on the lateral mounting surface

① Number of fingers

2	2
---	---

② Bore size

8	8 mm
12	12 mm
16	16 mm
20	20 mm

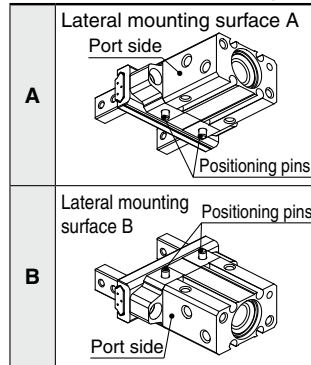
③ Action

D	Double acting
---	---------------

④ Finger option

Nil	Standard
1	Side tapped mounting
2	Through-holes in opening/closing direction

⑦ Direction of pin projection



⑤ Auto switch

Nil	Without auto switch (Built-in magnet)
-----	---------------------------------------

* [Click here](#) for details on applicable auto switch models.

⑥ Number of auto switches

Nil	2
S	1
n	n

* The 25A- series have the same specifications and dimensions as those of the JMHZ2-X6900(A, B) (made-to-order individual specifications). For details, refer to the [Web Catalog](#).

Bore Size

ø8 to ø20
Made to Order

25A-JMHZ2-16D-M9BW-X7460

Series compatible with secondary batteries

① ② ③ ④ ⑤ ⑥ Lateral auto switch mounting

① Number of fingers

2	2
---	---

② Bore size

8	8 mm
12	12 mm
16	16 mm
20	20 mm

③ Action

D	Double acting
---	---------------

④ Finger option

Nil	Standard
1	Side tapped mounting
2	Through-holes in opening/closing direction

⑤ Auto switch

Nil	Without auto switch (Built-in magnet)
-----	---------------------------------------

* [Click here](#) for details on applicable auto switch models.

⑥ Number of auto switches

Nil	2
S	1

* The 25A- series have the same specifications and dimensions as those of the JMHZ2-X7460 (made-to-order individual specifications). For details, refer to the [Web Catalog](#).

Parallel Type Air Gripper Standard Type

25A-MHZ2 Series

ø10, ø16, ø20, ø25, ø32, ø40



How to Order

Bore size

ø16 to ø25

25A-MHZ2-16 D [] - M9BW []

Series compatible with secondary batteries

Number of fingers
2 2 fingers

Bore size

10	10 mm
16	16 mm
20	20 mm
25	25 mm

Action
D Double acting

Number of auto switches

Nil	2
S	1
n	n

Auto switch

Nil Without auto switch (Built-in magnet)

* [Click here](#) for details on applicable auto switch models.

Finger position/option

Standard (MHQG2 compatible type)

Nil: Basic type

1: Side tapped mounting

2: Through-holes in opening/closing direction

3: Flat type fingers

The flat type fingers do not have standard and narrow options.

Narrow type (MHQ2 compatible type)

N: Basic type

N1: Side tapped mounting

N2: Through-holes in opening/closing direction



Bore size

ø32, ø40

25A-MHZ2-32 D [] - M9BW []

Series compatible with secondary batteries

Number of fingers
2 2 fingers

Bore size

32	32 mm
40	40 mm

Action
D Double acting

Number of auto switches

Nil	2
S	1
n	n

Auto switch

Nil Without auto switch (Built-in magnet)

* [Click here](#) for details on applicable auto switch models.

Finger option

[Standard]

Nil: Basic type

1: Side tapped mounting

2: Through-holes in opening/closing direction

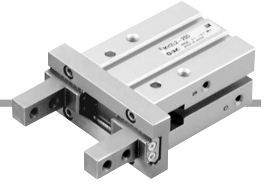
3: Flat type fingers



* The 25A-series specifications and dimensions are the same as those of the standard model.

For details, refer to the [Web Catalog](#).

Parallel Type Air Gripper Long Stroke Type **25A-MHZL2 Series** ø10, ø16, ø20, ø25



How to Order

25A - MHZL2 - 16 D - **M9BW**

Series compatible with secondary batteries

Number of fingers
2 | 2 fingers

Bore size

Symbol	Bore size [mm]
10	10 mm
16	16 mm
20	20 mm
25	25 mm

Action
D | Double acting

Number of auto switches

Nil	2
S	1
n	n

Auto switch

Nil Without auto switch (Built-in magnet)

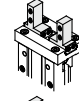
* [Click here](#) for details on applicable auto switch models.

Finger option

Nil: Basic type



1: Side tapped mounting



2: Through-holes in opening/closing direction



3: Flat type fingers



* The 25A- series specifications and dimensions are the same as those of the standard model.

For details, refer to the [Web Catalog](#).

25A-MHZJ2 Series



25A-MHZJ2-X6100 (Made to Order)

Parallel Type Air Gripper with Dust Cover: Long Stroke Type

25A-MHZL2-X5955 (Made to Order)

How to Order



With Dust Cover

ø10 to ø25

ø32, ø40
Made to Order

25A - MHZJ2 - 16 D - M9BW

25A - MHZJ2 - 32 D - M9BW - X6100

Series compatible with secondary batteries

Number of fingers
2 2 fingers

Bore size

10	10 mm
16	16 mm
20	20 mm
25	25 mm

Bore size

32	32 mm
40	40 mm

Action
D Double acting

Dust cover type

Nil	Chloroprene rubber (CR)
F	Fluororubber (FKM)
S	Silicone rubber (Si)

Auto switch

Nil	Without auto switch (Built-in magnet)
-----	---------------------------------------

* Click here for details on applicable auto switch models.

Number of auto switches

Nil	2
S	1
n	n

* Sizes ø10 to ø25 of the 25A- series have the same specifications and dimensions as those of the standard model.

For details, refer to the [Web Catalog](#).

* Sizes ø32 and ø40 of the 25A- series have the same specifications and dimensions as those of the MHZJ2-X6100 (made-to-order individual specifications).

For details, refer to the [Web Catalog](#).

Long Stroke Type/ With Dust Cover (Made to Order)

ø10 to ø20

25A - MHZL2 - 16 D - M9BW - X5955

Series compatible with secondary batteries

Number of fingers
2 2 fingers

Bore size/Stroke

Symbol	Bore size [mm]
10	10 mm
16	16 mm
20	20 mm

Action
D Double acting

Dust cover type

Nil	Chloroprene rubber (CR)
F	Fluororubber (FKM)
S	Silicone rubber (Si)

Long stroke type/ With dust cover

Number of auto switches

Nil	2
S	1
n	n

Auto switch

Nil	Without auto switch (Built-in magnet)
-----	---------------------------------------

* Click here for details on applicable auto switch models.

* The 25A- specifications and dimensions are the same as those of the MHZL2-X6110 (made to order individual specifications).

For details, refer to the [Web Catalog](#).

Low Profile Air Gripper

25A-MHF2 Series

ø8, ø12, ø16, ø20



How to Order



25A-MHF 2 - 12 D [] [] - M9BW []

• **Number of fingers**

2	2 fingers
---	-----------

• **Series compatible with secondary batteries**

• **Bore size [mm]**

8	8
12	12
16	16
20	20

• **Action**

D	Double acting
---	---------------

• **Stroke**

Nil	Short stroke
1	Medium stroke
2	Long stroke

• **Number of auto switches**

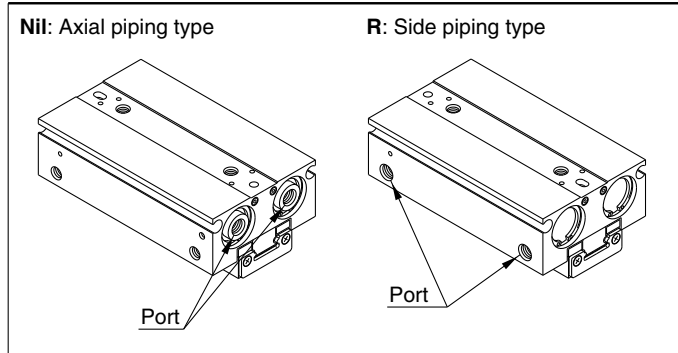
Nil	2
S	1
n	n

• **Auto switch**

Nil	Without auto switch (Built-in magnet)
-----	---------------------------------------

* [Click here](#) for details on applicable auto switch models.

• **Body option**



* The 25A- series specifications and dimensions are the same as those of the standard model.

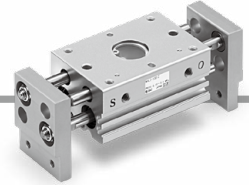
For details, refer to the [Web Catalog](#).

Parallel Type Air Gripper: Wide Type

25A-MHL2 Series

∅10, ∅16, ∅20, ∅25, ∅32, ∅40

RoHS



How to Order

25A-MHL2-20D□Z-M9BW□

Series compatible with secondary batteries

Wide opening

Number of fingers
2 2 fingers

Bore size

10	10 mm
16	16 mm
20	20 mm
25	25 mm
32	32 mm
40	40 mm

Action

D	Double acting
---	---------------

Number of auto switches

Nil	2
S	1
n	n

Auto switch

Nil	Without auto switch (Built-in magnet)
-----	---------------------------------------

* [Click here](#) for details on applicable auto switch models.

Opening/Closing stroke [mm]

Symbol	∅10	∅16	∅20	∅25	∅32	∅40
Nil	20	30	40	50	70	100
1	40	60	80	100	120	160
2	60	80	100	120	160	200

* The 25A- series specifications and dimensions are the same as those of the standard model.

For details, refer to the [Web Catalog](#).

How to Order

25A-MHL2-20D□-M9BW□

Series compatible with secondary batteries

Wide opening

Number of fingers
2 2 fingers

Bore size

10	10 mm
16	16 mm
20	20 mm
25	25 mm
32	32 mm
40	40 mm

Action

D	Double acting
---	---------------

Number of auto switches

Nil	2
S	1
n	n

Auto switch

Nil	Without auto switch (Built-in magnet)
-----	---------------------------------------

* [Click here](#) for details on applicable auto switch models.

Opening/Closing stroke [mm]

Symbol	∅10	∅16	∅20	∅25	∅32	∅40
Nil	20	30	40	50	70	100
1	40	60	80	100	120	160
2	60	80	100	120	160	200

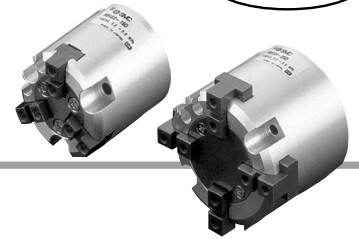
* The 25A- series specifications and dimensions are the same as those of the standard model.

For details, refer to the [Web Catalog](#).

Parallel Type Air Gripper

25A-MHS□ Series

ø16, ø20, ø25, ø32



How to Order

25A - MHS 3 - 20D - M9BW □

Series compatible with secondary batteries

Number of fingers

3	3 fingers
4	4 fingers

Bore size

16	16 mm
20	20 mm
25	25 mm
32	32 mm

Action

D	Double acting
---	---------------

Number of auto switches

Nil	2
S	1

Auto switch

Nil	Without auto switch (Built-in magnet)
-----	---------------------------------------

* [Click here](#) for details on applicable auto switch models.

* The 25A- series specifications and dimensions are the same as those of the standard model.

For details, refer to the [Web Catalog](#).

Parallel Type Air Gripper 3-Finger Type with Dust Cover

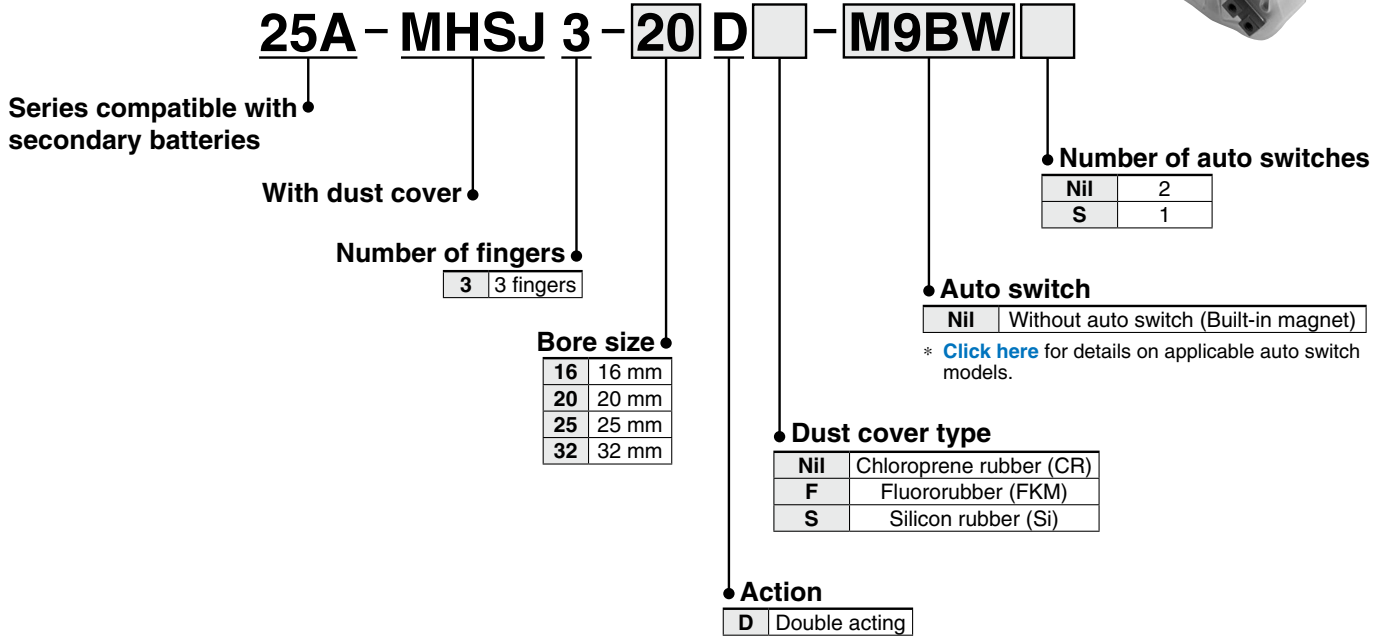
25A-MHSJ3 Series

ø16, ø20, ø25, ø32

RoHS



How to Order



* The 25A- series specifications and dimensions are the same as those of the standard model.

For details, refer to the [Web Catalog](#).

180° Angular Type Air Gripper Cam Type

25A-MHY2 Series

ø10, ø16, ø20, ø25



How to Order

25A - MHY 2 - 16 D 2 - M9BW

Series compatible with secondary batteries

Number of fingers

2	2 fingers
---	-----------

Bore size

10	10 mm
16	16 mm
20	20 mm
25	25 mm

Action

D	Double acting
---	---------------

Number of auto switches

Nil	2
S	1
n	n

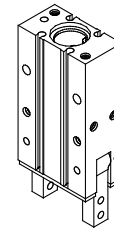
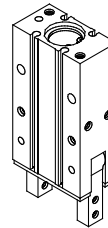
Auto switch

Nil	Without auto switch (Built-in magnet)
-----	---------------------------------------

* [Click here](#) for details on applicable auto switch models.

Finger option

Nil: Standard tapped mounting 2: Through-holes in opening/closing direction



* The 25A- series specifications and dimensions are the same as those of the standard model.

For details, refer to the [Web Catalog](#).

180° Angular Type Air Gripper Rack & Pinion Type

RoHS

25A-MHW2 Series

∅20, ∅25, ∅32, ∅40, ∅50



How to Order

25A-MHW2-20 **D** **1** - **M9BW**

Series compatible with secondary batteries

Number of fingers
2 | 2 fingers

Bore size

20	20 mm
25	25 mm
32	32 mm
40	40 mm
50	50 mm

Port thread type

Symbol	Type	Size
Nil	M thread	∅20, ∅25
	Rc	∅32
TN	NPT	∅40
TF	G	∅50

Action

D | Double acting

Number of auto switches

Nil	2
S	1
N	n

Auto switch

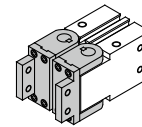
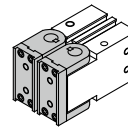
Nil | Without auto switch (Built-in magnet)

* [Click here](#) for details on applicable auto switch models.

Finger option

Nil: Flat type fingers (Standard)

1: Right angle type fingers tapped mounting



- * Change of material and surface treatment are not available for the bearing or the parallel key.
- * As metal-to-metal collision occurs when the fingers are fully closed, dust particles may be generated.

* The 25A- series specifications and dimensions are the same as those of the standard model.

For details, refer to the [Web Catalog](#).