

Rotary Table: Vane Type

25A-MSUB Series

Size: 1, 3, 7, 20

RoHS



How to Order

Without auto switch 25A-M SUB 20-90 S

With auto switch 25A-M D SUB 20-90 S-T79 L

Series compatible with secondary batteries

With auto switch (Built-in magnet)

Nominal size (Torque)

1	MSUB 1
3	MSUB 3
7	MSUB 7
20	MSUB20

Rotating angle

Application	Symbol	Rotating angle
Single vane	90	90°
	180	180°
Double vane	90	90°

Rotation adjustment range
 Single vane: Both ends ±5° each
 Double vane: Both ends ±2.5° each

Connection port location

Nil	Side ported
E	Axial ported

Available with side ported only, when equipped with auto switch unit.

Vane type

S	Single vane
D	Double vane

Number of auto switches

S	1*1
Nil	2*2

*1 S (1 auto switch) is shipped with a right-hand auto switch.
 *2 Nil (2 auto switches) is shipped with a right-hand and a left-hand switch.

Electrical entry/Lead wire length

Nil	Grommet/Lead wire: 0.5 m
L	Grommet/Lead wire: 3 m

Auto switch

Nil	Without auto switch (Built-in magnet)
-----	---------------------------------------

* [Click here](#) for details on applicable auto switch models.

- * The 25A- series specifications and dimensions are the same as those of the standard model.
- * Zinc is used in part of deep groove ball bearing.

For details, refer to the [Web Catalog](#).

Rotary Table/Rack & Pinion Type

25A-MSQ Series

Size: 10, 20, 30, 50



How to Order

25A-MSQ 10 A - M9BW -

1
 2
 3
 4
 5
 6

Series compatible with secondary batteries

1 Size

10
20
30
50

2 Cushion type

A	Cushion pad
D	Bumper
R	Internal shock absorber

3 Auto switch

Nil	Without auto switch (Built-in magnet)
-----	---------------------------------------

* [Click here](#) for details on applicable auto switch models.

4 Number of auto switches

Nil	2
s	1
n	n

5 Port type

End port type	Size
Nil	M5
Nil	Rc1/8
-XF	G1/8
-XN	NPT1/8
-XT	NPTF1/8

6 Made to order

Nil	None
A	With interchangeable table and plate
B	With interchangeable table
C	With interchangeable plate

* Some parts have dimensions and shapes that are different from those of the standard model. Refer to page 176 for details. Other specifications are the same as those of the standard model.

* Zinc is used in part of deep groove ball bearing and seal washer.

For details, refer to the [Web Catalog](#).

25A-MSQ 10 A - M9BW - - **X251**

1
 2
 3
 4
 5
 6

Series compatible with secondary batteries

With vacuum port

1 Size

10
20
30
50

2 Cushion type

A	Cushion pad
D	Bumper
R	Internal shock absorber

3 Auto switch

Nil	Without auto switch (Built-in magnet)
-----	---------------------------------------

* [Click here](#) for details on applicable auto switch models.

4 Number of auto switches

Nil	2
s	1
n	n

5 Port type

End port type	Size
Nil	M5
Nil	Rc1/8
-XF	G1/8
-XN	NPT1/8
-XT	NPTF1/8

6 Made to order

Nil	None
B	With interchangeable table

* Zinc is used in part of deep groove ball bearing and seal washer.

* Some parts have dimensions and shapes that are different from those of the standard model. Refer to page 176 for details. Other specifications are the same as those of the standard model.

Internal Shock Absorber Part Nos. for the 25A- Series

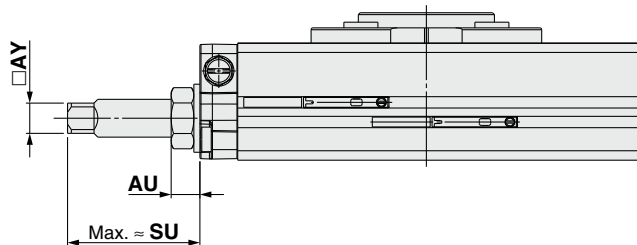
Size	Part no.
10	25A-RBA0805-X692
20	25A-RBA1006-X692
30	25A-RBA1411-X692
50	25A-RBA1411-X692

* The part number is the same for the 25A-MSQ-X251.

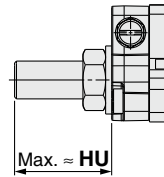
For details, refer to the [Web Catalog](#).

Dimensions

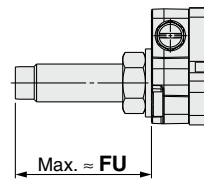
Basic type 25A-MSQ□A



Bumper 25A-MSQ□D



Internal shock absorber 25A-MSQ□R



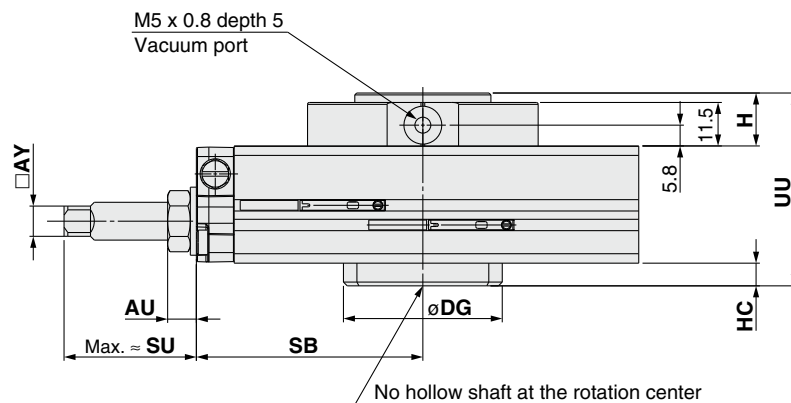
Size	AU	AY	FU	HU	SU
10	6.5	6	32	18	24
20	7.5	8	36	26	34
30	7.5	8	34	24	32
50	10	10	54	34	45.5

[mm]

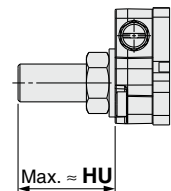
* Dimensions other than those shown above are identical to the standard products.

For details, refer to the [Web Catalog](#).

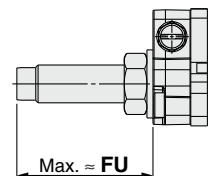
With vacuum port 25A-MSQ□A-X251



Bumper 25A-MSQ□D-X251



Internal shock absorber 25A-MSQ□R-X251



Size	AU	AY	DG	FU	H	HC	HU	SB	SU	UU
10	6.5	6	35h9	32	14.2	5	18	47.2	24	48.7
20	7.5	8	42h9	36	14	6	26	59.9	34	51
30	7.5	8	48h9	34	14	6	24	65.3	32	58
50	10	10	54h9	54	14	7	34	77.7	45.5	64

[mm]

* Dimensions other than those shown above are identical to the standard products.

* The product with the vacuum port has no hollow shaft at its rotation center.

For details, refer to the [Web Catalog](#).

MSQ Series Made to Order

Please contact SMC for detailed dimensions, specifications, and delivery times.



Symbol

-A, -B, -C

1 With Interchangeable Table and Plate

Applicable Rotary Table

Model	Made to order			Note
	With interchangeable table and plate	With interchangeable table	With interchangeable plate	
25A-MSQ	○	○	○	
25A-MSQ□-B-X251	—	○	—	

How to Order

Standard model no. — **A**

Made to order

A With interchangeable table and plate	* The interchangeable table and plate can be ordered separately. For details, refer to the tables below.
B With interchangeable table	
C With interchangeable plate	* The interchangeable table and plate are assembled before shipment.

Part Nos. of Interchangeable Parts

Interchangeable A Unit (With Interchangeable Table and Plate)

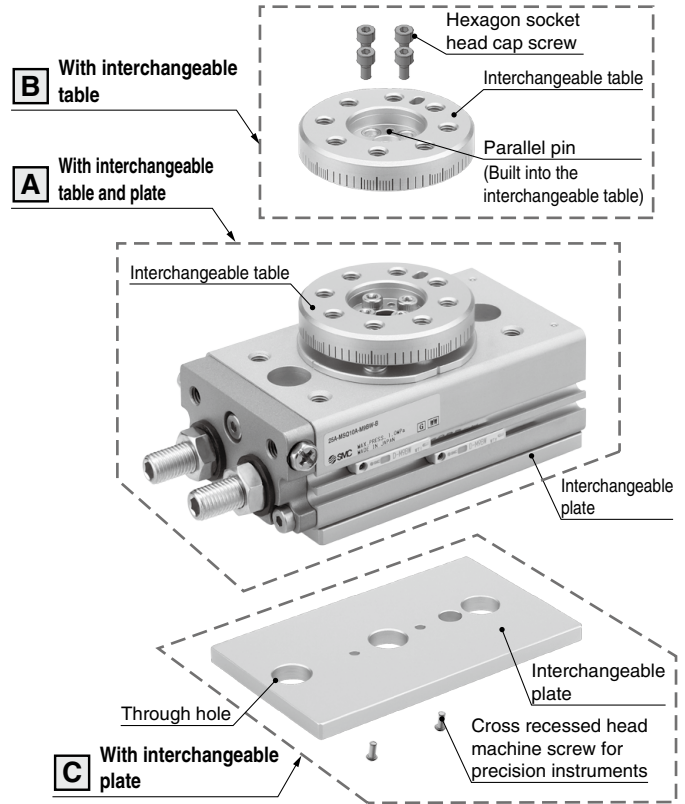
Size	Part no.	Contents
		Description (Qty.)
10	P891010-53	· Interchangeable table (1) · Parallel pin (1)
20	P891020-53	· Hexagon socket head cap screw (4) · Interchangeable plate (1)
30	P891030-53	· Cross recessed head machine screw for precision instruments (2)
50	P891040-53	

Interchangeable B Unit (With Interchangeable Table)

Size	Part no.	Contents
		Description (Qty.)
10	P891010-54	· Interchangeable table (1)
20	P891020-54	· Parallel pin (1)
30	P891030-54	· Hexagon socket head cap screw (4)
50	P891040-54	

Interchangeable C Unit (With Interchangeable Plate)

Size	Part no.	Contents
		Description (Qty.)
10	P891010-55	· Interchangeable plate (1)
20	P891020-55	· Cross recessed head machine screw for precision instruments (2)
30	P891030-55	
50	P891040-55	



* To position the product, use the knock pin holes on the body instead of the through holes that are empty in the interchangeable plate.

Dimensions: The dimensions of the 25A-MSQ are the same as those of the standard product. Refer below for the dimensions of the 25A-MSQ□-B-X251 with a vacuum port.

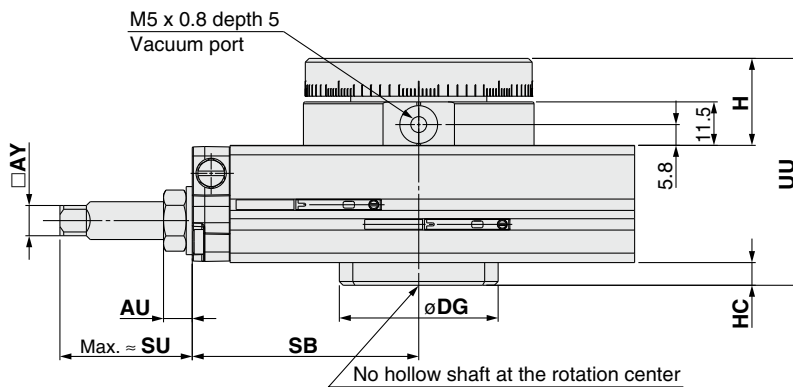
* Refer to the **Web Catalog** for the tightening torque of the interchangeable parts.

Dimensions

* Mounting diagram of the interchangeable table

Dimensions other than those shown below are the same as those of the basic type. Refer to the **Web Catalog** for details.

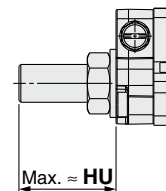
With vacuum port/With interchangeable table 25A-MSQ□A-B-X251



Size	AU	AY	DG	FU	H	HC	HU	SB	SU	UU
10	6.5	6	35h9	32	21	5	18	47.2	24	55.7
20	7.5	8	42h9	36	23	6	26	59.9	34	60
30	7.5	8	48h9	34	23	6	24	65.3	32	67
50	10	10	54h9	54	26	7	34	77.7	45.5	75.5

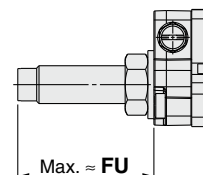
Bumper

25A-MSQ□D-B-X251



Internal shock absorber

25A-MSQ□R-B-X251



* Dimensions other than those shown above are identical to the standard products.

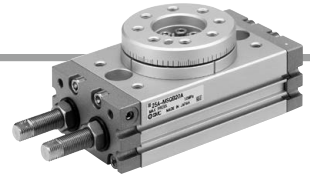
* The product with the vacuum port has no hollow shaft at its rotation center.

Rotary Table/Rack & Pinion Type

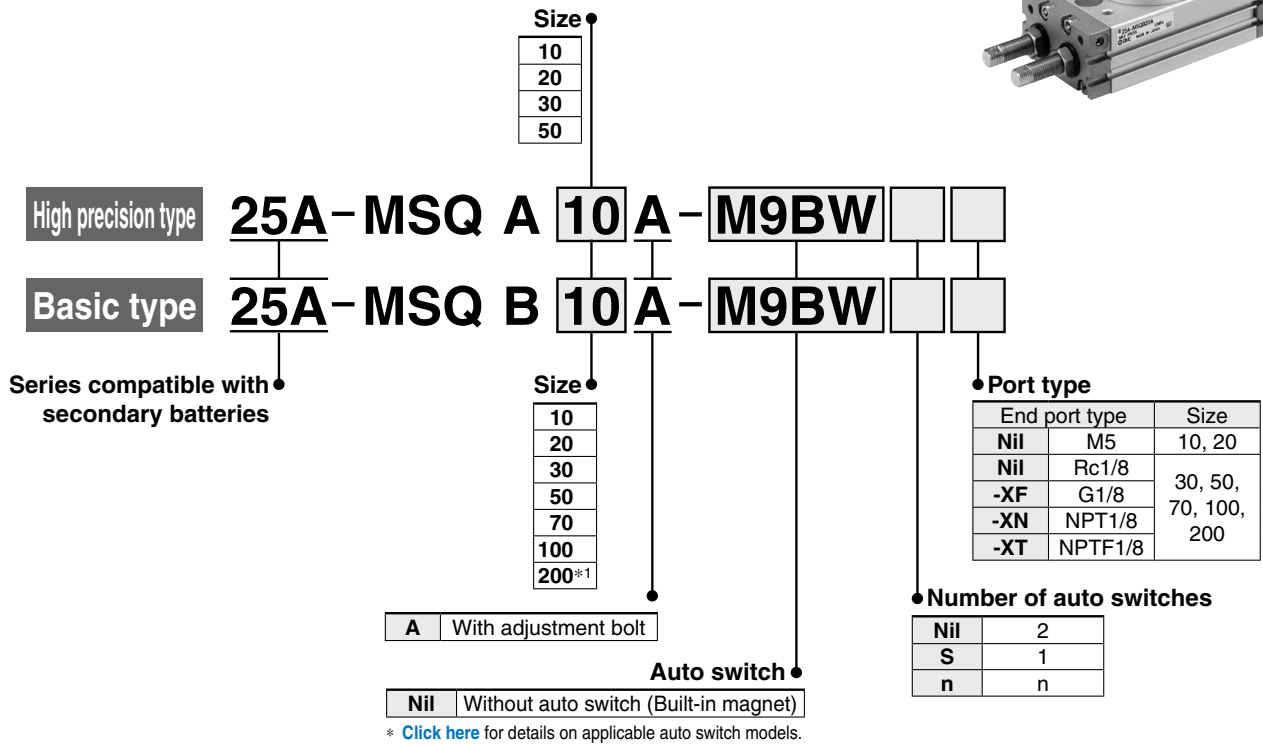
25A-MSQ Series

Size: 10, 20, 30, 50, 70, 100, 200

RoHS



How to Order

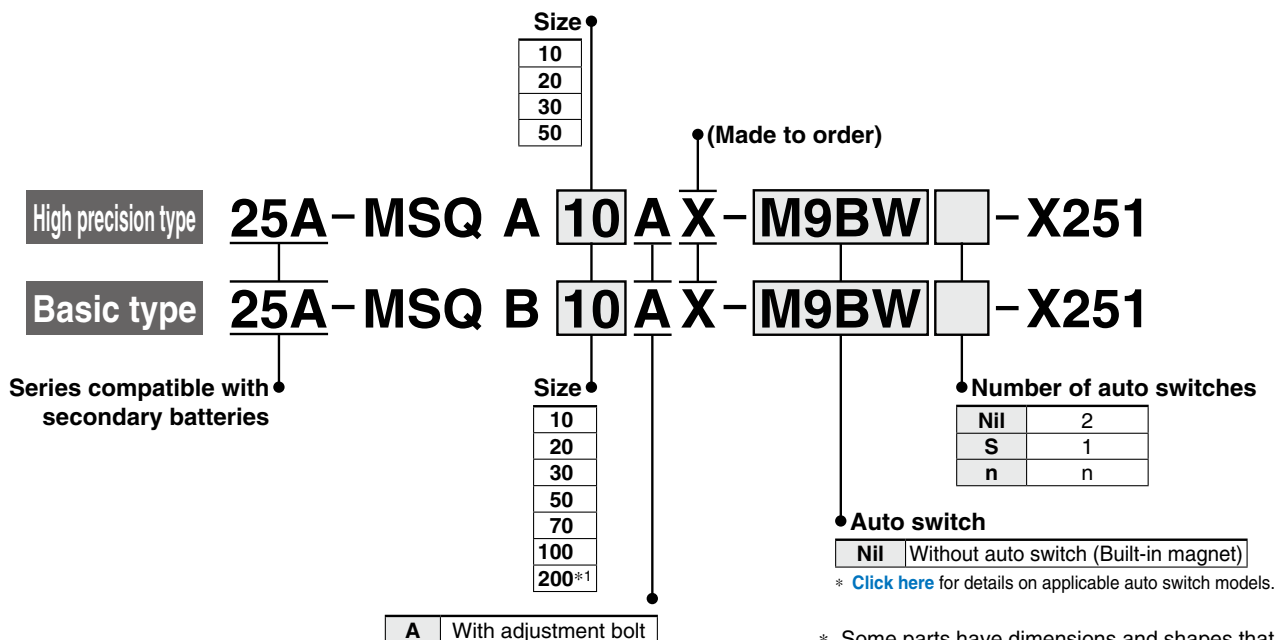


- *1 Size 200 is produced upon receipt of order.
- * Zinc is used in part of deep groove ball bearing and seal washer.
- * Side port cannot be used.

- * Some parts have dimensions and shapes that are different from those of the standard model. Refer to page 179 for details. Other specifications are the same as those of the standard model.

For details, refer to the [Web Catalog](#).

With Vacuum Port



- *1 Size 200 is produced upon receipt of order.
- * Zinc is used in part of deep groove ball bearing and seal washer.
- * Side port cannot be used.

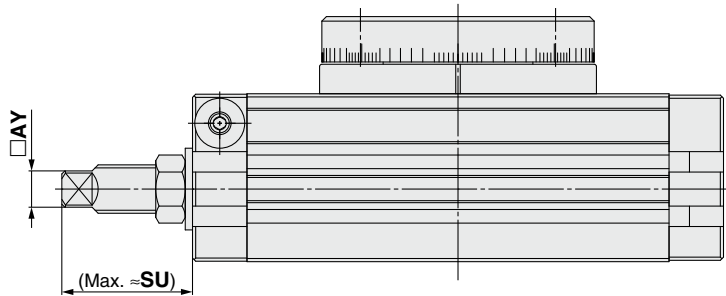
- * Some parts have dimensions and shapes that are different from those of the standard model. Refer to page 179 for details. Other specifications are the same as those of the standard model.

For details, refer to the [Web Catalog](#).

25A-MSQ Series

Dimensions

25A-MSQB□A

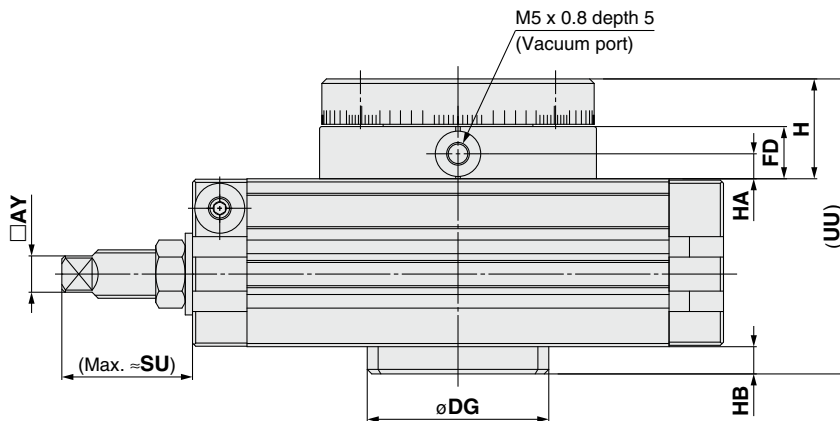


Size	AY	SU
10	6	23.7
20	8	33
30	8	33
50	10	42.9
70	16	44.2
100	16	44.3
200	21	52.2

* Dimensions other than those shown above are identical to the standard products.

For details, refer to the [Web Catalog](#).

25A-MSQB□AX-X251



Size	AY	DG	FD	H	HA	HB	SU	UU
10	6	35h9	11.5	20	5.5	5	23.7	59
20	8	40h9	11.5	22	5.5	6	33	65
30	8	48h9	11.5	22	5.5	6	33	68
50	10	54h9	11.5	24	5.5	7	42.9	77
70	16	50h9	12	25	6	7	44.2	85
100	16	52h9	12	27	6	7	44.3	93
200	21	64h9	15	32	7.5	8	52.2	114

* The product with the vacuum port has no hollow shaft at its rotation center.
 * Dimensions other than those shown above are identical to the standard products.

For details, refer to the [Web Catalog](#).

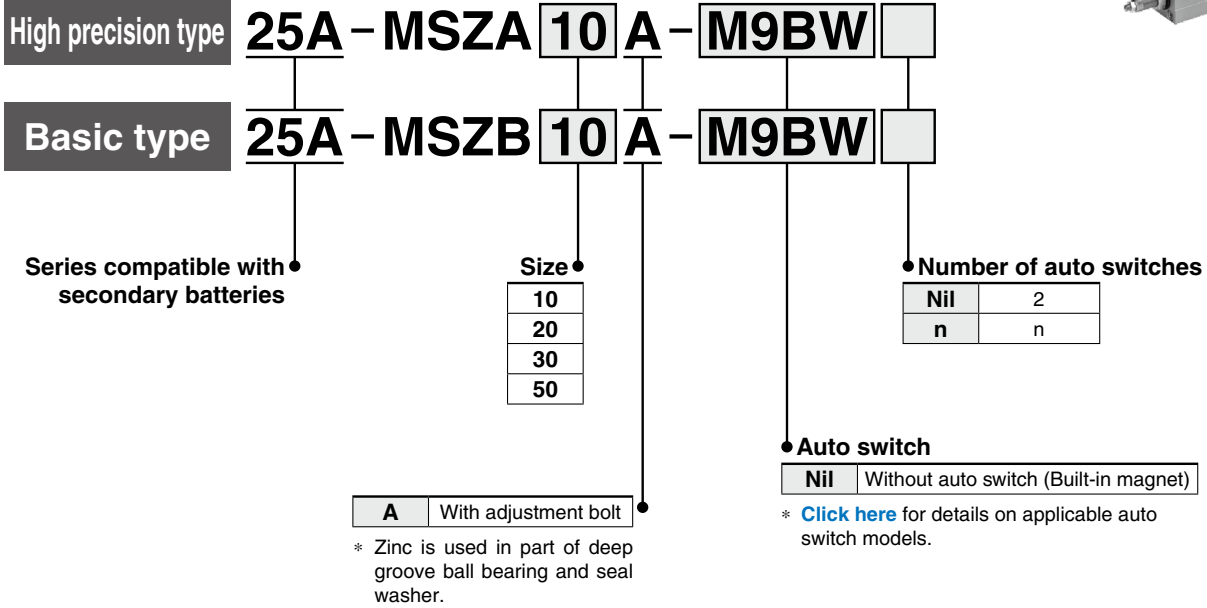
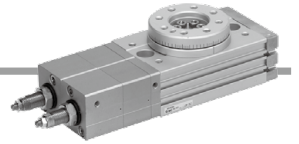
3-Position Rotary Table

25A-MSZ Series

Size: 10, 20, 30, 50

RoHS

How to Order



* The 25A- series specifications and dimensions are the same as those of the standard model.

For details, refer to the [Web Catalog](#).