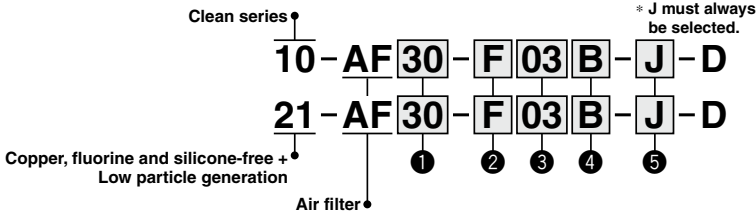


10-21-AF-D series Air Filter

How to Order



· Semi-standard: Select one each for a to c.
 · Semi-standard symbol: When more than one specification is required, indicate in alphanumeric order.
 Example) 10-AF30-F03B-2JR-D

		Symbol	Description	① Body size					
				20	30	40	50	60	
②	Pipe thread type	Nil	Rc	●	●	●	●	●	
		N	NPT	●	●	●	●	●	
		F	G	●	●	●	●	●	
+									
③	Port size	01	1/8	●	—	—	—	—	
		02	1/4	●	●	●	—	—	
		03	3/8	—	●	●	—	—	
		04	1/2	—	—	●	—	—	
		06	3/4	—	—	●	●	—	
		10	1	—	—	—	●	●	
+									
④ Option	Mounting	Nil	Without mounting option	●	●	●	●	●	
		B ^{Note 1)}	With bracket	●	●	●	●	●	
+									
⑤ Semi-standard	a	Bowl	Nil	Polycarbonate bowl	●	●	●	●	●
			2	Metal bowl	●	●	●	●	●
			6	Nylon bowl	●	●	●	●	●
			8	Metal bowl with level gauge	—	—	—	—	—
			C	With bowl guard	—	—	—	—	—
			6C	With bowl guard (Nylon bowl)	●	— ^{Note 2)}	— ^{Note 2)}	— ^{Note 2)}	— ^{Note 2)}
	+								
	b	Flow direction	Nil	Flow direction: Left to right	●	●	●	●	●
			R	Flow direction: Right to left	●	●	●	●	●
	+								
c	Unit	Nil	Unit on product label: MPa, °C	●	●	●	●	●	
		Z ^{Note 5)}	Unit on product label: psi, °F	○ ^{Note 6)}	○ ^{Note 6)}	○ ^{Note 6)}	○ ^{Note 6)}	○ ^{Note 6)}	

Note 1) Option B is included in the package with the product but does not come assembled. The assembly consists of 2 types of the bracket and 2 mounting screws.
 Note 2) A bowl guard is provided as standard equipment (polycarbonate).
 Note 3) A bowl guard is provided as standard equipment (nylon).
 Note 4) Be sure to select drain guide "J." Without a valve function. The mounting screws are the same as the thread of ②.
 Note 5) For the pipe thread type: NPT. This product is for overseas use only according to the New Measurement Act. (The SI unit type is provided for use in Japan.)
 Note 6) ○: For the pipe thread type: NPT only

Standard Specifications

Model	10-/21-AF20-D	10-/21-AF30-D	10-/21-AF40-D	10-/21-AF40-06-D	10-/21-AF50-D	10-/21-AF60-D
Port size	1/8, 1/4	1/4, 3/8	1/4, 3/8, 1/2	3/4	3/4, 1	1
Fluid	Air					
Ambient and fluid temperatures	-5 to 60°C (No freezing)					
Proof pressure	1.5 MPa					
Max. operating pressure	1.0 MPa					
Nominal filtration rating ^{Note 1)}	5 μm					
Compressed air purity class ^{Note 2) Note 3)}	ISO8573-1: 2010 [6 : 8 : 4]					
Drain capacity	8 cm ³	25 cm ³	45 cm ³	45 cm ³	45 cm ³	45 cm ³
Drain guide port size	1/8	1/4	1/4	1/4	1/4	1/4
Grease	10-: Fluorine grease 21-: Lithium soap based grease					
Cleanliness class (ISO class)	10-: Class 3 21-: Class 3					

Note 1) For the following conditions in accordance with [Test condition: ISO 8573-4:2001 compliant, Test method ISO 12500-3:2009 compliant]

Conditions: When a new element is used, and the flow capacity, inlet pressure, and the amount of solid bodies on the filter inlet side are stable

Note 2) The compressed air purity class is indicated based on ISO 8573-1:2010 Compressed air – Part 1: Contaminants and purity classes.

For details on this standard, refer to page 1068-22.

Note 3) The compressed air quality class on the inlet side is [7 : 9 : 4].

Option/Part Nos.

Option	Specifications	Part no.					
		10-/21-AF20-D	10-/21-AF30-D	10-/21-AF40-D	10-/21-AF40-06-D	10-/21-AF50-D	10-/21-AF60-D
Bracket assembly ^{Note 1)}	10-	10-AF24P-070AS	10-AF34P-070AS	10-AF44P-070AS	10-AF49P-070AS	10-AF54P-070AS	
	21-	AF24P-070AS	AF34P-070AS	AF44P-070AS	AF49P-070AS	AF54P-070AS	

Note 1) The assembly consists of a bracket A/B and 2 mounting screws.

Directional Control Valves

Air Cylinders

Rotary Actuators

Air Grippers

Air Preparation Equipment

Modular F. R.

Pressure Control Equipment

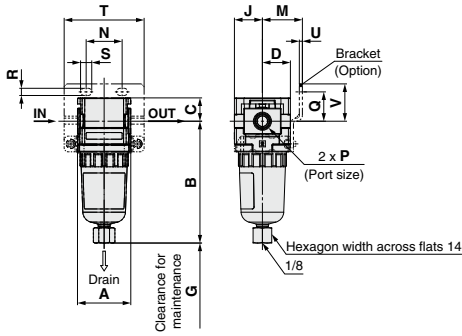
Fittings & Tubing

Flow Control Equipment

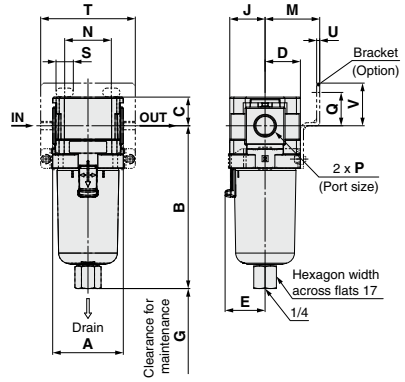
Pressure Switches/ Pressure Sensors

Dimensions

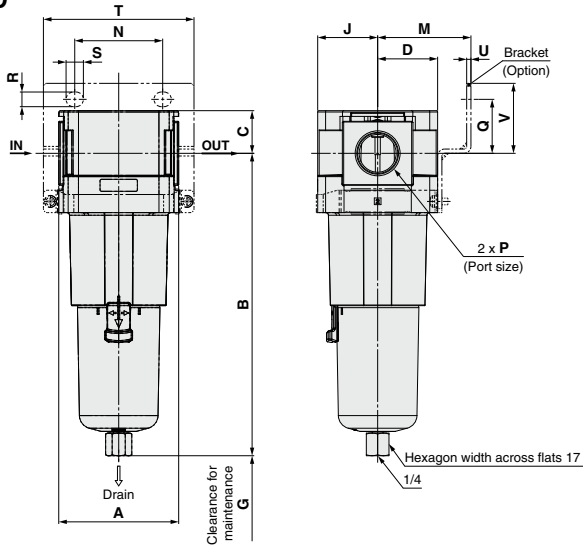
10-21-AF20-D



10-21-AF30-D to AF40-06-D



10-21-AF50-D to AF60-D



Applicable model	10-21-AF20-D			10-21-AF30-D to AF60-D			
Semi-standard	With bowl guard	Metal bowl	Metal bowl	Metal bowl	Metal bowl with level gauge		
Dimensions							

Model	Standard specifications										Optional specifications						Semi-standard specifications		
	P	A	B	C	D	E	G	J	M	N	Q	R	S	T	U	V	With bowl guard	Metal bowl	Metal bowl with level gauge
10-21-AF20-D	1/8, 1/4	40	91.4	17.5	21	—	25	21	30	27	22	5.4	8.4	60	2.3	28	91.4	93.9	—
10-21-AF30-D	1/4, 3/8	53	122.2	21.5	26.5	30	35	26.5	41	35	25	6.5	13	71	2.3	32	—	122.3	142.3
10-21-AF40-D	1/4, 3/8, 1/2	70	153.9	25.5	35.5	38.4	40	35.5	50	52	30	8.5	12.5	88	2.3	39	—	154.1	174.1
10-21-AF40-06-D	3/4	75	155.9	27	35.5	38.4	40	35.5	50	52	34	8.5	12.5	88	2.3	43	—	156.1	176.1
10-21-AF50-D	3/4, 1	90	226.9	32	45	—	30	45	70	66	40.5	11	13	113	3.2	52.5	—	227.1	247.1
10-21-AF60-D	1	95	240.9	32	45	—	30	45	70	66	40.5	11	13	113	3.2	52.5	—	241.1	261.1