

AC Servo Motor Drivers

LECS□-T/LECY□ Series



Pulse Input Type/Positioning Type p. 8

Absolute Type/LECSB-T Series



With STO sub-function

SSCNET III/H Type p. 8

Absolute Type/LECSS-T Series



With STO sub-function

MECHATROLINK-II Type p. 20

Absolute Type/LECYM Series



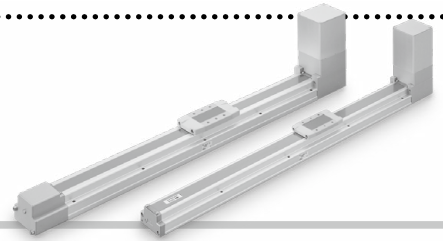
With STO sub-function

MECHATROLINK-III Type p. 20








Absolute Type/LECYU Series



With STO sub-function



LECS□-T/LECY□ Series List

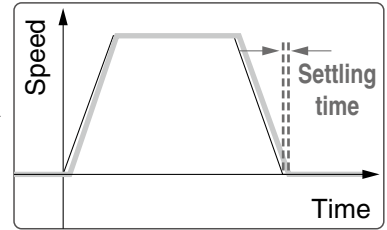
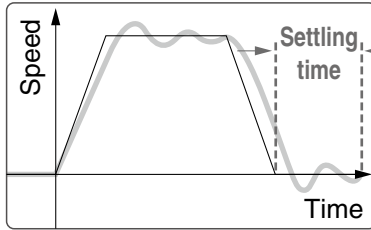
Series	Compatible motor				Control method			Application/Function		Compatible option	
	100 W	200 W	400 W	750 W	Positioning*1	Pulse	Network direct input	Synchronous	Pushing operation*4	Setup software	
Absolute Type	 LECSB-T (Pulse input type/ Positioning type)	●	●	●	●	Up to 255 points *5	*5			*4 *5	LEC-MRC2
	  LECSS-T (SSCNET III/H type) Compatible with Mitsubishi Electric's servo system controller network	●	●	●	●			SSCNET III/H	*2	*4	LEC-MRC2
	  LECYM	●	●	●	●			MECHATRO LINK-II		*3	SigmaWin+™
	  LECYU	●	●	●	●			MECHATRO LINK-III		*3	SigmaWin+™
		●	●	●	●						

- *1 For positioning types, the settings need to be changed in order to use the max. set values. Setup software (MR Configurator2™) LEC-MRC2 is required.
- *2 Available when a Mitsubishi motion controller is used as upper level equipment
- *3 Available when a motion controller is used as upper level equipment
- *4 The LECSB2-T is only applicable when the control method is positioning. The point table is used to set the pushing operation settings.
When selecting the LECS2-T, combine it with upper level equipment (such as the Simple Motion module manufactured by Mitsubishi Electric Corporation) which has a pushing operation function.
- ** For customer-provided PLC and motion controller setting and usage instructions, confirm with the retailer or manufacturer.
- *5 The LECSB2-T can be used by adding the "MR Configurator2 dedicated file for the LECSB-T" to the setup software (MR Configurator2™: LEC-MRC2□).
Please download this dedicated file from the SMC website: <https://www.smcworld.com>

Gain adjustment using auto tuning

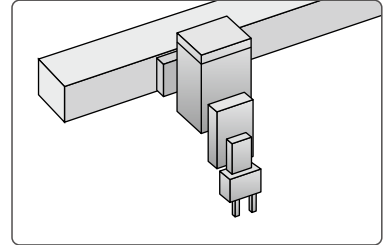
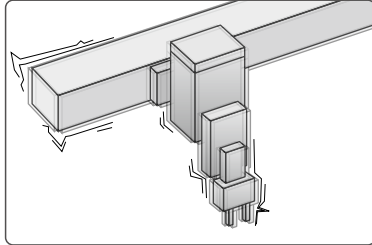
Auto-tuning function

- Controls the difference between the command value and the actual action



Vibration suppression control function

- Automatically suppresses low-frequency machine vibrations (1 to 100 Hz)



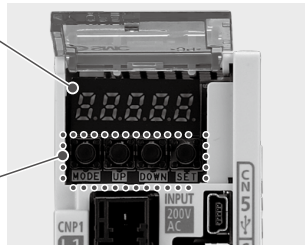
With display setting function

Display

Display the monitor, parameters, and alarm.

Settings

Set the parameters, monitor display, etc., with push buttons.



(With the front cover opened)

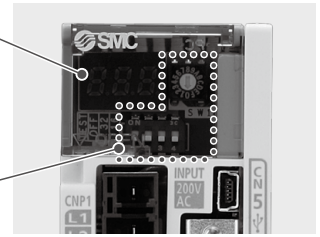
LECSB-T

Display

Display the communication status with the driver and the alarm.

Settings

Switches for axis setting, control axis deactivation, switching to the test operation, etc.



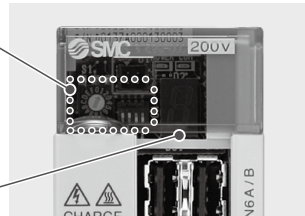
LECSS2-T

Settings

Switches for station address, communication speed, number of transmission bytes, etc.

Display

Display the driver status and alarm.



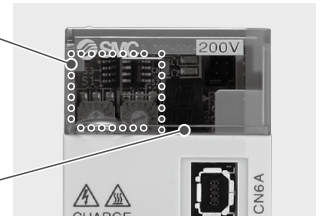
LECYM

Settings

Switches for station address, number of transmission bytes, etc.

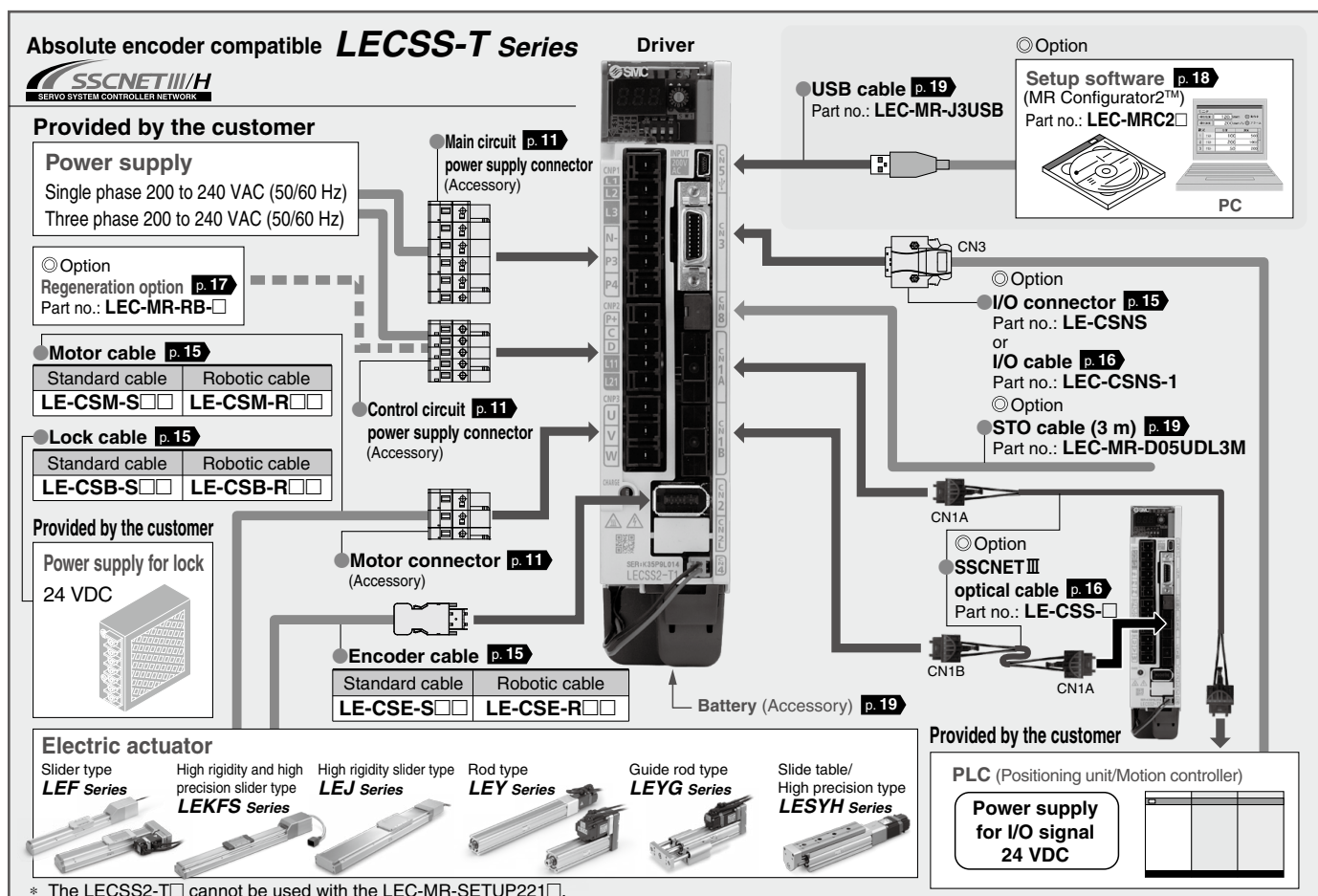
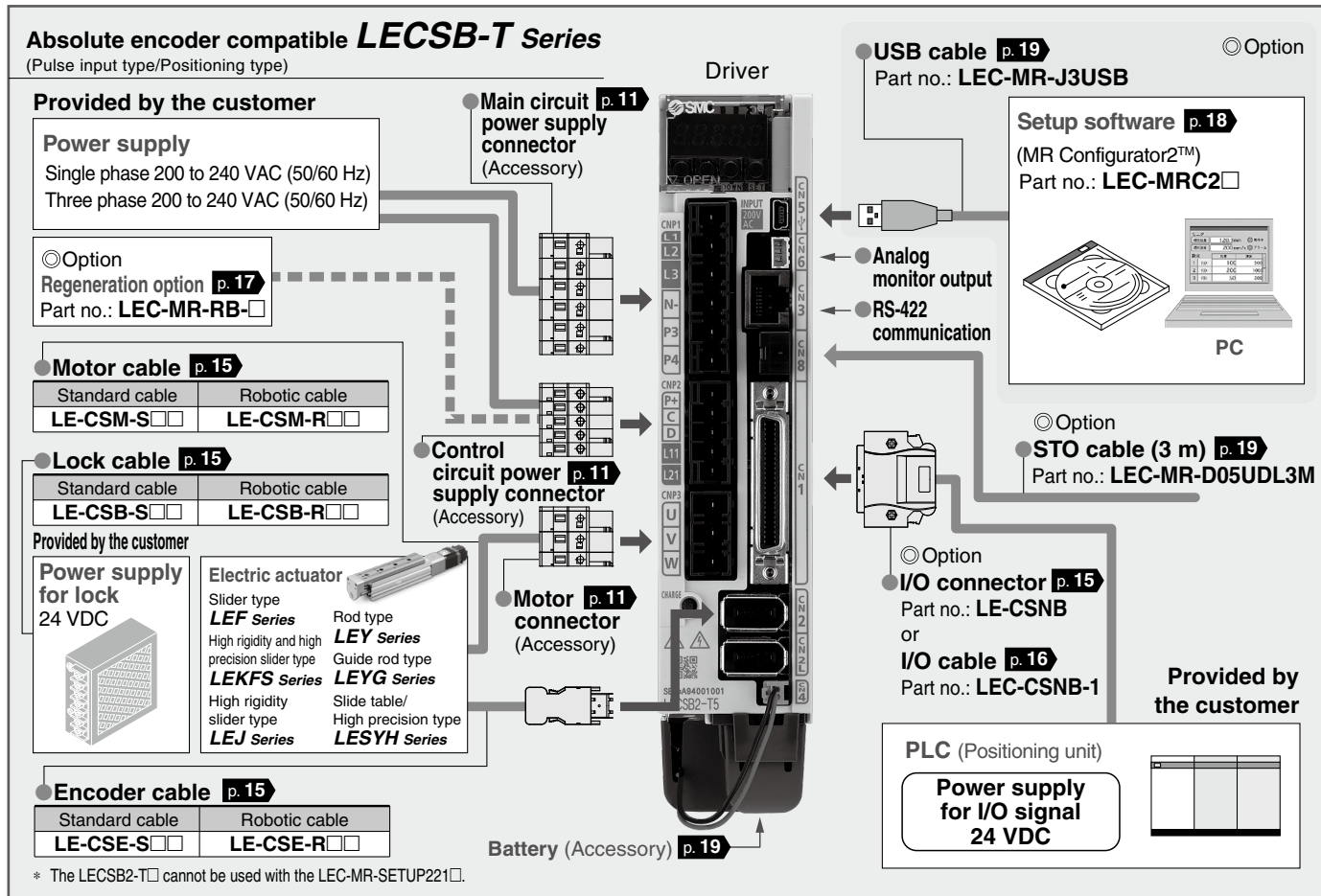
Display

Display the driver status and alarm.

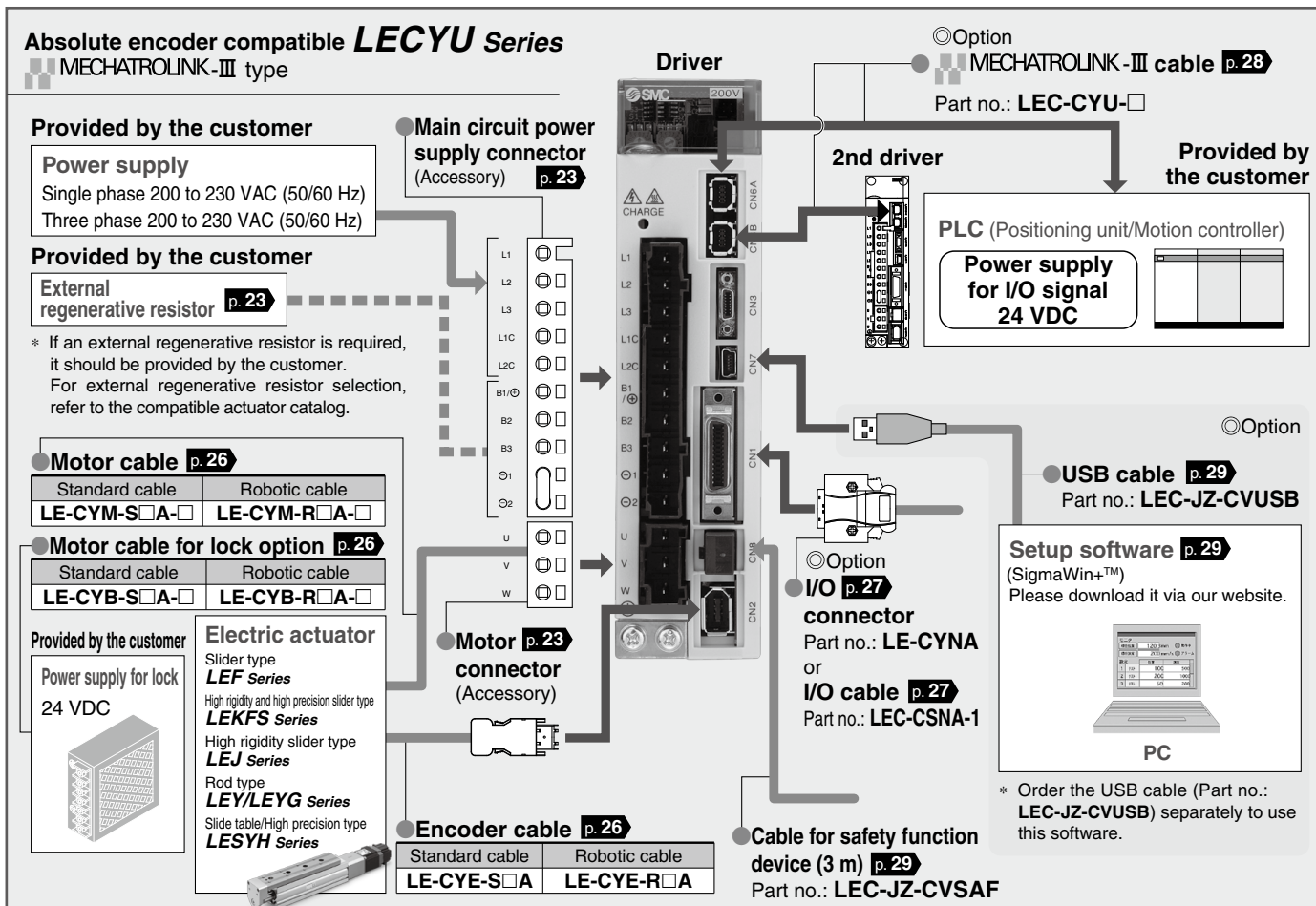
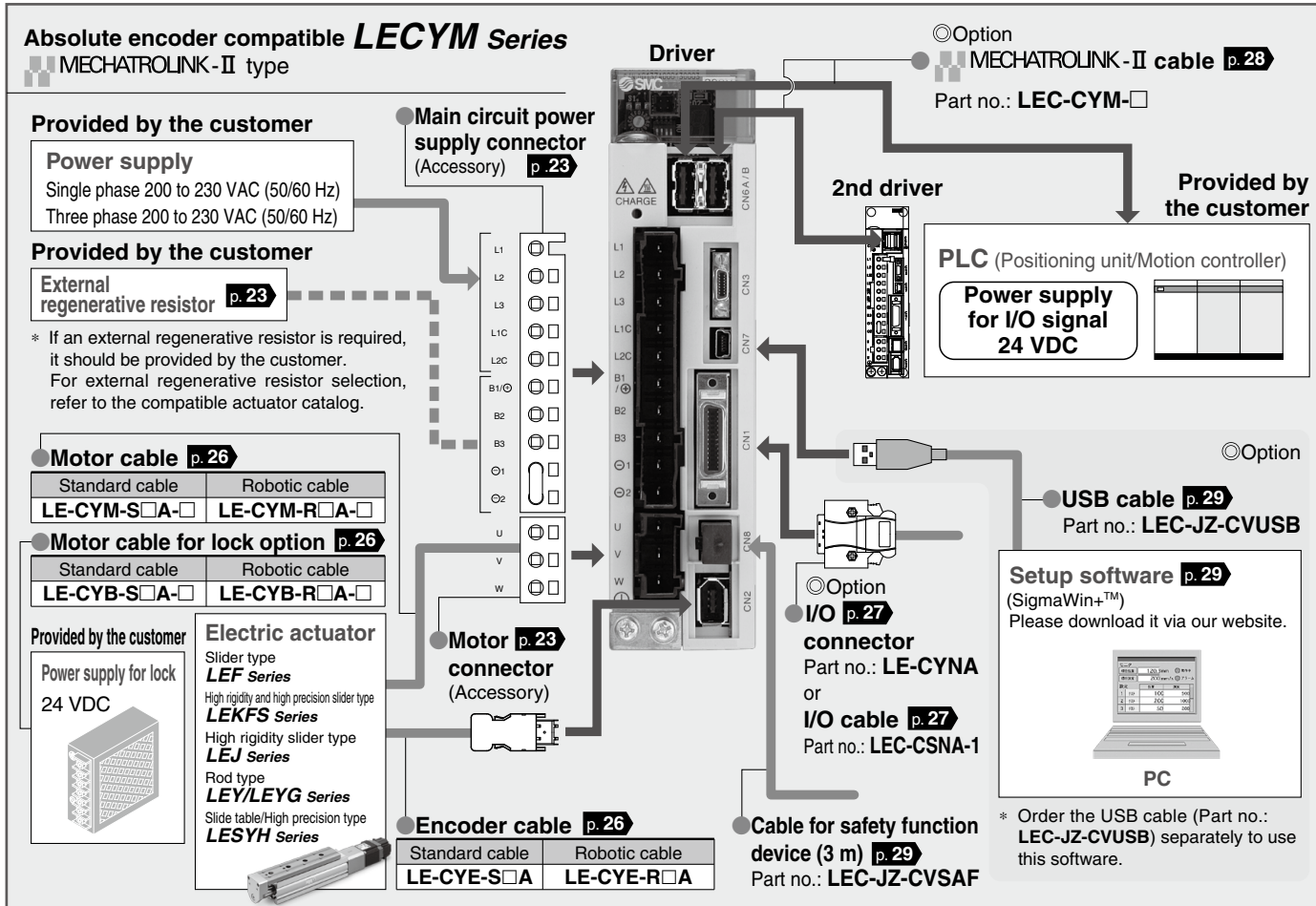


LECYU

System Construction



System Construction



AC Servo Motor Driver

LECS□-T Series

Power supply voltage

200 to 240 VAC
(LECS-C series: 200 to 230 VAC)

Motor capacity

100/200/400/750 W


Absolute Type

LECSB-T Series (Pulse input type/Positioning type)

- Positioning by up to 255 point tables
- Input type: Pulse input (Sink (NPN) type interface/Source (PNP) type interface)
- Control encoder: Absolute 22-bit encoder (Resolution: 4194304 p/rev)
- STO (Safe Torque Off) safety function available
- Parallel input: 10 inputs
output: 6 outputs



LECSS-T Series (SSCNET III /H type)

- Applicable Fieldbus protocol:  SSCNET III/H
(High-speed optical communication, max. bidirectional communication speed: 150 Mbps)
- Bidirectional communication speed: 3 times
- SSCNET III/H and SSCNET III products are compatible.
- Improved noise resistance
- STO (Safe Torque Off) safety function available
- Control encoder: Absolute 22-bit encoder (Resolution: 4194304 p/rev)



AC Servo Motor Driver

LECY□ Series

Power supply voltage


200 to 230 VAC

Motor capacity

100/200/400 W


Absolute Type

LECYM Series (MECHATROLINK-II type)

- Applicable Fieldbus protocol:  MECHATROLINK-II
- Number of connectable drivers: 30 units (Transmission distance: Max. 50 m in total)
- Max. transmission speed: 10 Mbps
- Min. transmission cycle: 250 μs
- Control encoder: Absolute 20-bit encoder (Resolution: 1048576 p/rev)
- STO (Safe Torque Off) safety function available
- Compliant with the SEMI F47 Standard (Torque limit for low DC power supply voltage for main circuit)



LECYU Series (MECHATROLINK-III type)

- Applicable Fieldbus protocol:  MECHATROLINK-III
- Number of connectable drivers: 62 units (Transmission distance: Max. 75 m between stations)
- Max. transmission speed: 100 Mbps
- Min. transmission cycle: 125 μs
- Control encoder: Absolute 20-bit encoder (Resolution: 1048576 p/rev)
- STO (Safe Torque Off) safety function available
- Compliant with the SEMI F47 Standard (Torque limit for low DC power supply voltage for main circuit)



CONTENTS

AC Servo Motor

Absolute Type *LECS*□-*T* Series



How to Order	p. 8
Dimensions	p. 9
Specifications	p. 10
Power Supply Wiring Example	p. 11
Control Signal Wiring Example	p. 12
Options	p. 15

AC Servo Motor

MECHATROLINK Compatible Absolute Type *LECY*□ Series



How to Order	p. 20
Dimensions	p. 20
Specifications	p. 21
Power Supply Wiring Example	p. 23
Control Signal Wiring Example	p. 24
Options	p. 26

Specific Product Precautions	p. 30
------------------------------------	-------

Compatible actuators

LEF LEJ LEY
LESYH LEKFS

AC Servo Motor Driver Absolute Type

LECSB-T (Pulse Input Type/Positioning Type)

LECSS-T (SSCNET III/H Type) *Series*



How to Order

For LECSB-T/LECSS-T

LECS B 2 - T5

Driver type

B	Pulse input type/Positioning type (For absolute encoder)
S	SSCNET III/H type (For absolute encoder)

Power supply voltage

2	200 to 240 VAC, 50/60 Hz (For LECSB2-T/LECSS2-T)
----------	---

Compatible motor type

Symbol	Type	Capacity	Encoder
T5	AC servo motor (T6*1)	100 W	Absolute
T7	AC servo motor (T7*1)	200 W	
T8	AC servo motor (T8*1)	400 W	
T9	AC servo motor (T9*1)	750 W	

*1 The symbol shows the motor type (actuator).

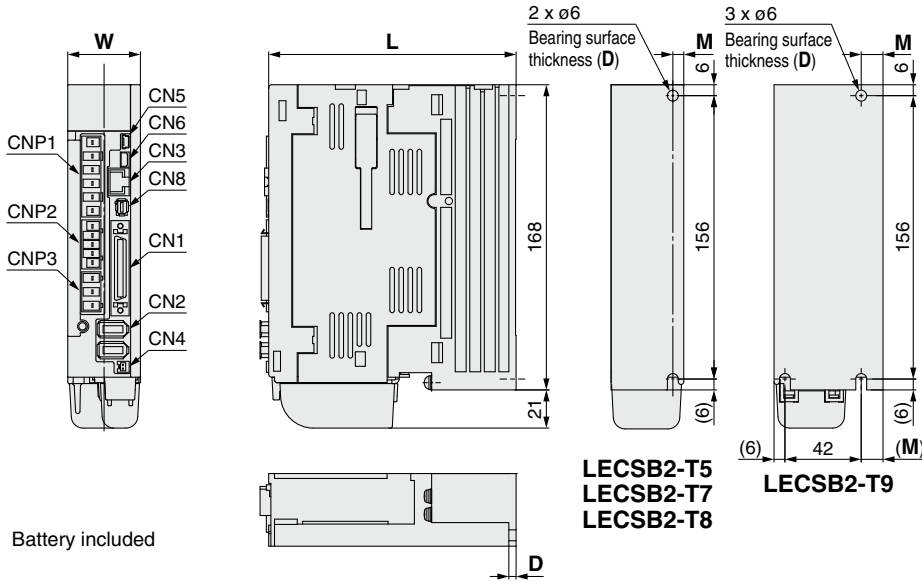


LECSB-T LECSS-T

* If an I/O connector is required, order the part number "LE-CSN□" separately.
* If an I/O cable is required, order the part number "LEC-CSN□-1" separately.
(Since the electric actuator will not operate without forced stop (EM2) wiring when using the LECSB-T in any mode other than positioning mode, an I/O connector or an I/O cable is required.)

Dimensions

LECSB2-T□

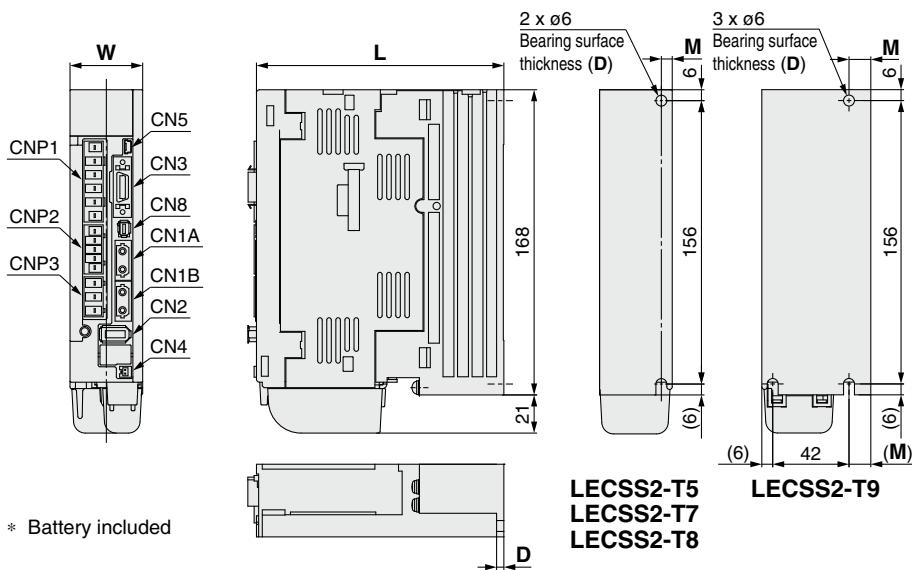


* Battery included

Connector name	Description
CN1	I/O signal connector
CN2	Encoder connector
CN3	RS-422 communication connector
CN4	Battery connector
CN5	USB communication connector
CN6	Analog monitor connector
CN8	STO input signal connector
CNP1	Main circuit power supply connector
CNP2	Control circuit power supply connector
CNP3	Servo motor power connector

Dimensions [mm]				
Model	W	L	D	M
LECSB2-T5	40	135	4	6
LECSB2-T7		170	5	
LECSB2-T8		185	6	
LECSB2-T9	60	185	6	12

LECSS2-T□



* Battery included

Connector name	Description
CN1A	Front axis connector for SSCNET III/H
CN1B	Rear axis connector for SSCNET III/H
CN2	Encoder connector
CN3	I/O signal connector
CN4	Battery connector
CN5	USB communication connector
CN8	STO input signal connector
CNP1	Main circuit power supply connector
CNP2	Control circuit power supply connector
CNP3	Servo motor power connector

Dimensions [mm]				
Model	W	L	D	M
LECSS2-T5	40	135	4	6
LECSS2-T7		170	5	
LECSS2-T8		185	6	
LECSS2-T9	60	185	6	12

LECS□-T Series

Specifications

LECSB-T Series

Model		LECSB2-T5	LECSB2-T7	LECSB2-T8	LECSB2-T9
Rated power supply capacity [kVA]		0.3	0.5	0.9	1.3
Max. power supply capacity [kVA]		1.05	1.75	3.15	4.55
Compatible motor capacity [W]		100	200	400	750
Compatible encoder		Absolute 22-bit encoder (Resolution: 4194304 p/rev)			
Main power supply	Power voltage [V]*3	Three phase 200 to 240 VAC (50/60 Hz), Single phase 200 to 240 VAC (50/60 Hz)			
	Allowable voltage fluctuation [V]*3	Three phase 170 to 264 VAC (50/60 Hz), Single phase 170 to 264 VAC (50/60 Hz)			
	Rated current [A]	0.9	1.5	2.6	3.8
Control power supply	Control power supply voltage [V]	Single phase 200 to 240 VAC (50/60 Hz)			
	Allowable voltage fluctuation [V]	Single phase 170 to 264 VAC			
	Rated current [A]	0.2			
Parallel input		10 inputs			
Parallel output		6 outputs			
Max. input pulse frequency [pps]		4 M (for differential receiver), 200 k (for open collector)			
Function	In-position range setting [pulse]	0 to ±65535 (Command pulse unit)			
	Error excessive	±3 rotations			
	Torque limit	Parameter setting or external analog input setting (0 to 10 VDC)			
	Communication	USB communication, RS422 communication*1			
	Point table	Up to 255 points			
	Pushing operation	Point table no. input method, Up to 127 points			
Operating temperature range [°C]		0 to 55 (No freezing)			
Operating humidity range [%RH]		90 or less (No condensation)			
Storage temperature range [°C]		-20 to 65 (No freezing)			
Storage humidity range [%RH]		90 or less (No condensation)			
Insulation resistance [MΩ]		Between the housing and SG: 10 (500 VDC)			
Safety function		STO (IEC/EN 61800-5-2)			
Safety standards*2		EN ISO 13849-1 Category 3 PL e, IEC 61508 SIL 3, EN 62061 SIL CL3, EN 61800-5-2			
Weight [g]		800	1000	1400	

*1 USB communication and RS422 communication cannot be performed at the same time.

*2 The safety level depends on the set value of the driver parameter [Pr. PF18 STO diagnosis error detection time] and whether STO input diagnosis by TOFB output is performed or not. Refer to the LECSB-T operation manual for details.

*3 Three phase 400 VAC is not supported.

LECSS-T Series

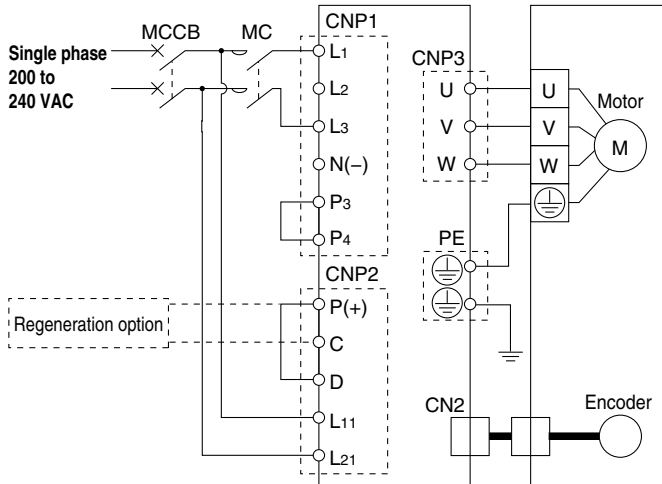
Model		LECSS2-T5	LECSS2-T7	LECSS2-T8	LECSS2-T9
Rated power supply capacity [kVA]		0.3	0.5	0.9	1.3
Max. power supply capacity [kVA]		1.05	1.75	3.15	4.55
Compatible motor capacity [W]		100	200	400	750
Compatible encoder		Absolute 22-bit encoder (Resolution: 4194304 p/rev)			
Main power supply	Power voltage [V]*2	Three phase 200 to 240 VAC (50/60 Hz), Single phase 200 to 240 VAC (50/60 Hz)			
	Allowable voltage fluctuation [V]*2	Three phase 170 to 264 VAC (50/60 Hz), Single phase 170 to 264 VAC (50/60 Hz)			
	Rated current [A]	0.9	1.5	2.6	3.8
Control power supply	Control power supply voltage [V]	Single phase 200 to 240 VAC (50/60 Hz)			
	Allowable voltage fluctuation [V]	Single phase 170 to 264 VAC			
	Rated current [A]	0.2			
Applicable Fieldbus protocol		SSCNET III/H (High-speed optical communication)			
Communication function		USB communication			
Operating temperature range [°C]		0 to 55 (No freezing)			
Operating humidity range [%RH]		90 or less (No condensation)			
Storage temperature range [°C]		-20 to 65 (No freezing)			
Storage humidity range [%RH]		90 or less (No condensation)			
Insulation resistance [MΩ]		Between the housing and SG: 10 (500 VDC)			
Safety function		STO (IEC/EN 61800-5-2)			
Safety standards*1		EN ISO 13849-1 Category 3 PL d, EN 61508 SIL 2, EN 62061 SIL CL2, EN 61800-5-2			
Weight [g]		800	1000	1400	

*1 Refer to the LECSS-T operation manual for details.

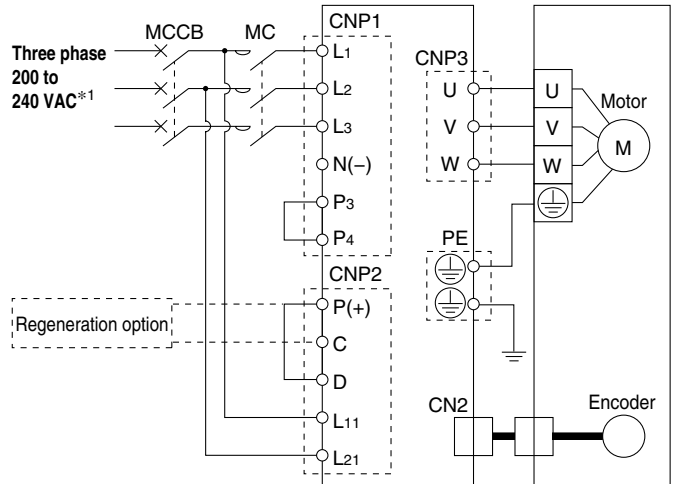
*2 Three phase 400 VAC is not supported.

Power Supply Wiring Example: LECSB2-T□, LECSS2-T□

For single phase 200 VAC



For three phase 200 VAC



*1 Three phase 400 VAC is not supported.

* For single phase 200 to 240 VAC, power supply should be connected to L1 and L3 terminals, with nothing connected to L2. Please note that the wiring locations differ from the LECS□.

Main Circuit Power Supply Connector: CNP1 * Accessory

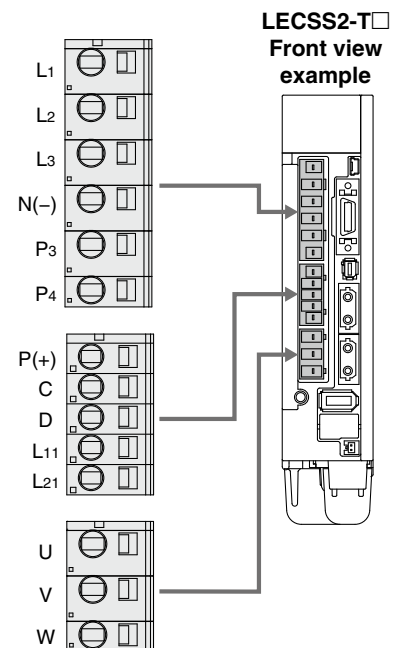
Terminal name	Function	Details
L1	Main circuit power supply	Connect the main circuit power supply. LECSB2-T/LECSS2-T: Single phase 200 to 240 VAC, 50/60 Hz Connection terminal: L1, L3 Three phase 200 to 240 VAC, 50/60 Hz Connection terminal: L1, L2, L3
L2		
L3		
N(-)	Do not connect.	
P3	Connect between P3 and P4. (Connected at time of shipping)	
P4		

Control Circuit Power Supply Connector: CNP2 * Accessory

Terminal name	Function	Details
P(+)	Regeneration option	Connect between P(+) and D. (Connected at time of shipping) * If regeneration option is required for "Model Selection," connect to this terminal.
C		
D		
L11	Control circuit power supply	Connect the control circuit power supply. LECSB2-T/LECSS2-T: Single phase 200 to 240 VAC, 50/60 Hz Connection terminal: L11, L21
L21		

Motor Connector: CNP3 * Accessory

Terminal name	Function	Details
U	Servo motor power (U)	Connect to motor cable (U, V, W).
V	Servo motor power (V)	
W	Servo motor power (W)	

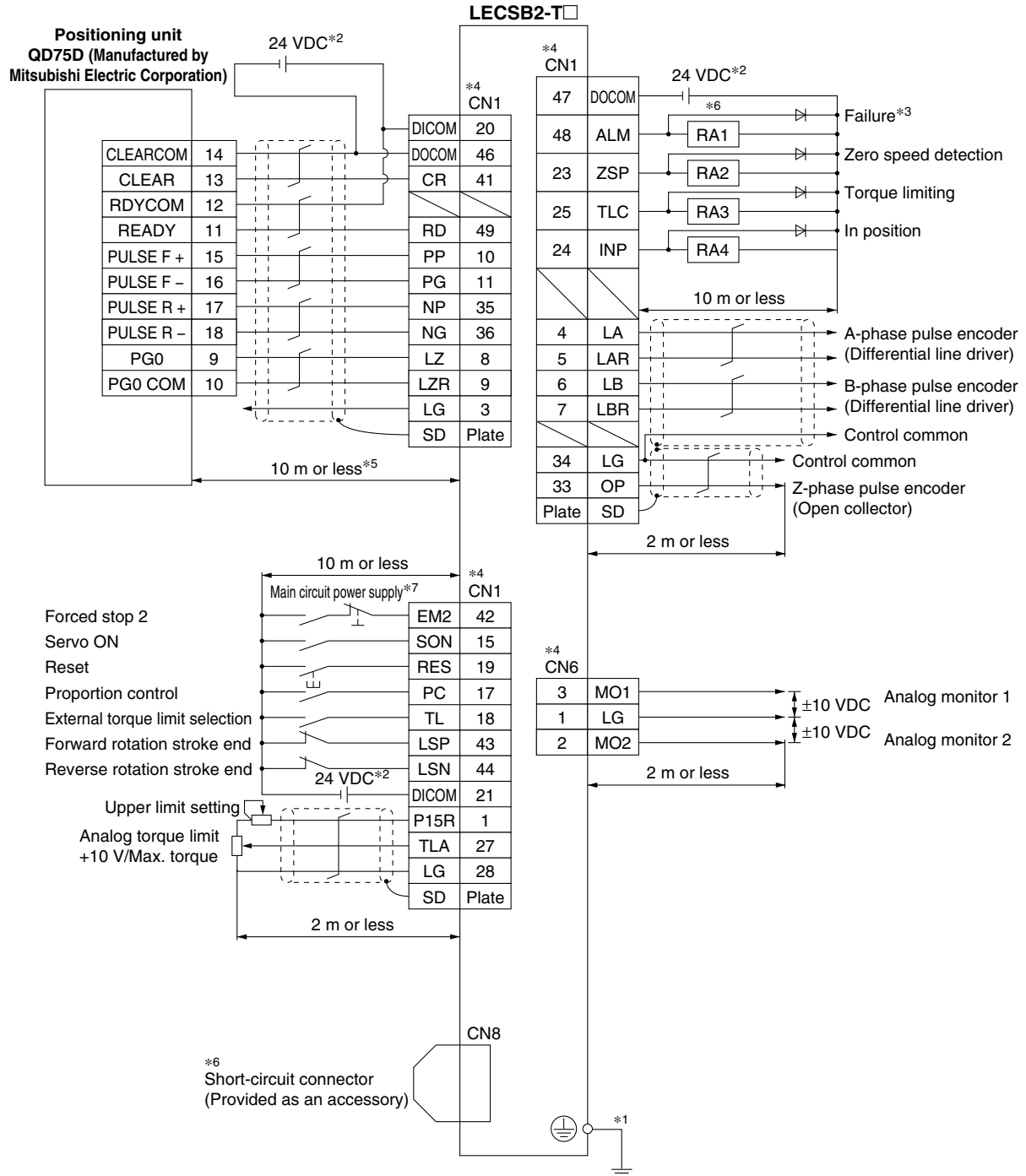


LECS□-T Series

Control Signal Wiring Example: LECSB2-T□

This wiring example shows connection with a positioning unit (QD75D) manufactured by Mitsubishi Electric Corporation as when used in position control mode. Refer to the LECSB2-T series Operation Manual and any technical literature or operation manuals for your PLC and positioning unit before connecting to another PLC or positioning unit.

Position control mode For sink (NPN) I/O interface

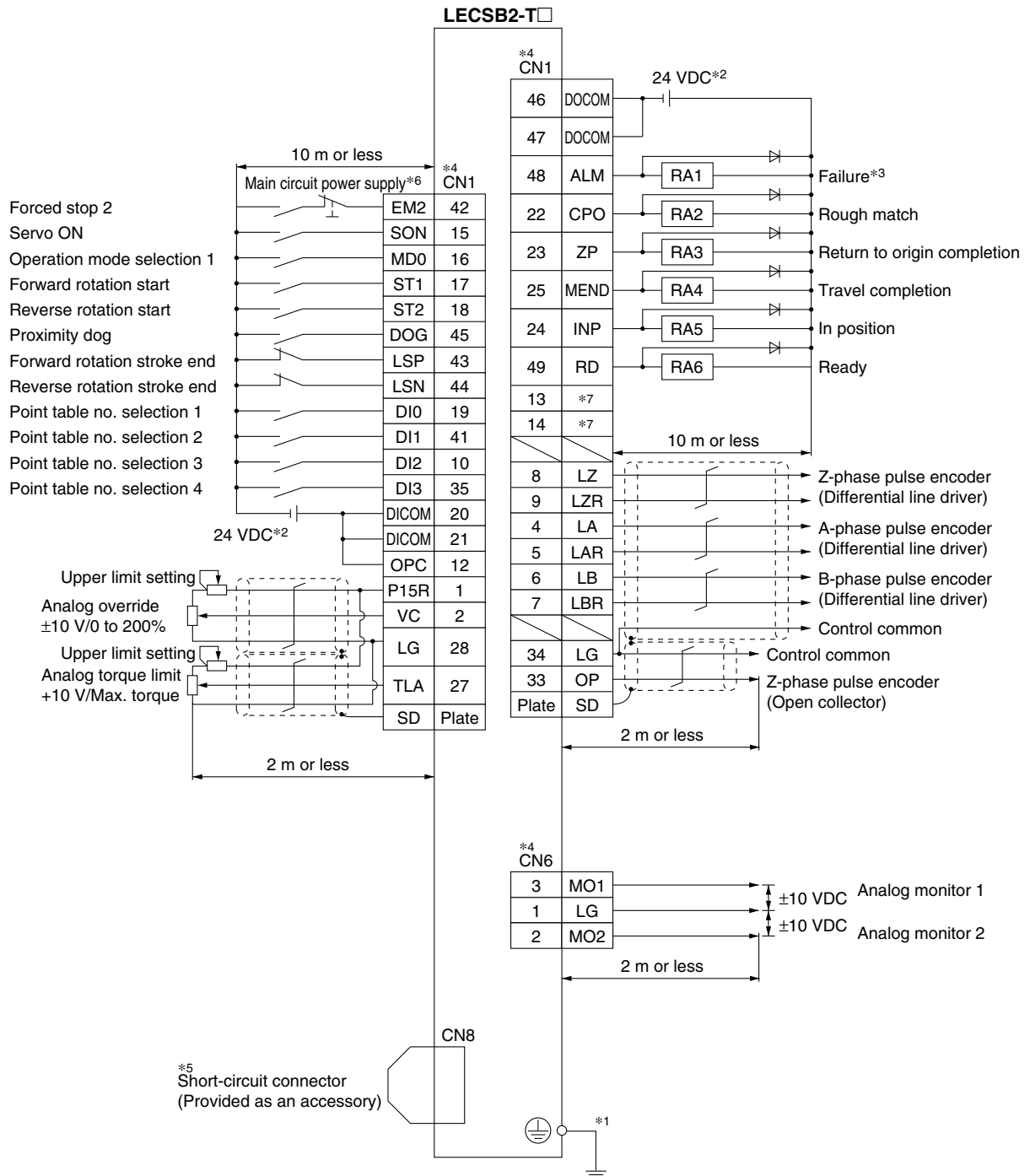


- *1 For preventing electric shock, be sure to connect the driver's protective earth (PE) terminal (marked \oplus) to the control panel's protective earth (PE).
- *2 For interface use, supply 24 VDC $\pm 10\%$ using an external source. Set the total current capacity to 500 mA. 500 mA is the value when all I/O command signals are being used. In addition, reducing the number of inputs/outputs can decrease the current capacity.
- *3 The failure (ALM) is normally ON. When it is OFF (alarm occurs), stop the PLC signal using the sequence program.
- *4 Signals of the same name are connected inside the driver.
- *5 For command pulse input with a differential line driver method. For open collector method, it is 2 m or less.
- *6 When not using the STO function, use the driver with the short-circuit connector (provided as an accessory) inserted.
- *7 Configure a circuit to turn off EM2 when the main circuit power is turned off to prevent any unexpected restarts of the driver.

Control Signal Wiring Example: LECSB2-T□

In this wiring example, the devices of the CN1-22 pin, CN1-23 pin, and CN1-25 pin in the initial status have been changed to the devices shown below. For details on the devices and changing method, refer to the LECSB2-T series Operation Manual.
 CN1-22: CPO (Rough match)/CN1-23: ZP (Return to origin completion)/CN1-25: MEND (Travel completion)

Positioning mode (Point table method) For sink (NPN) I/O interface

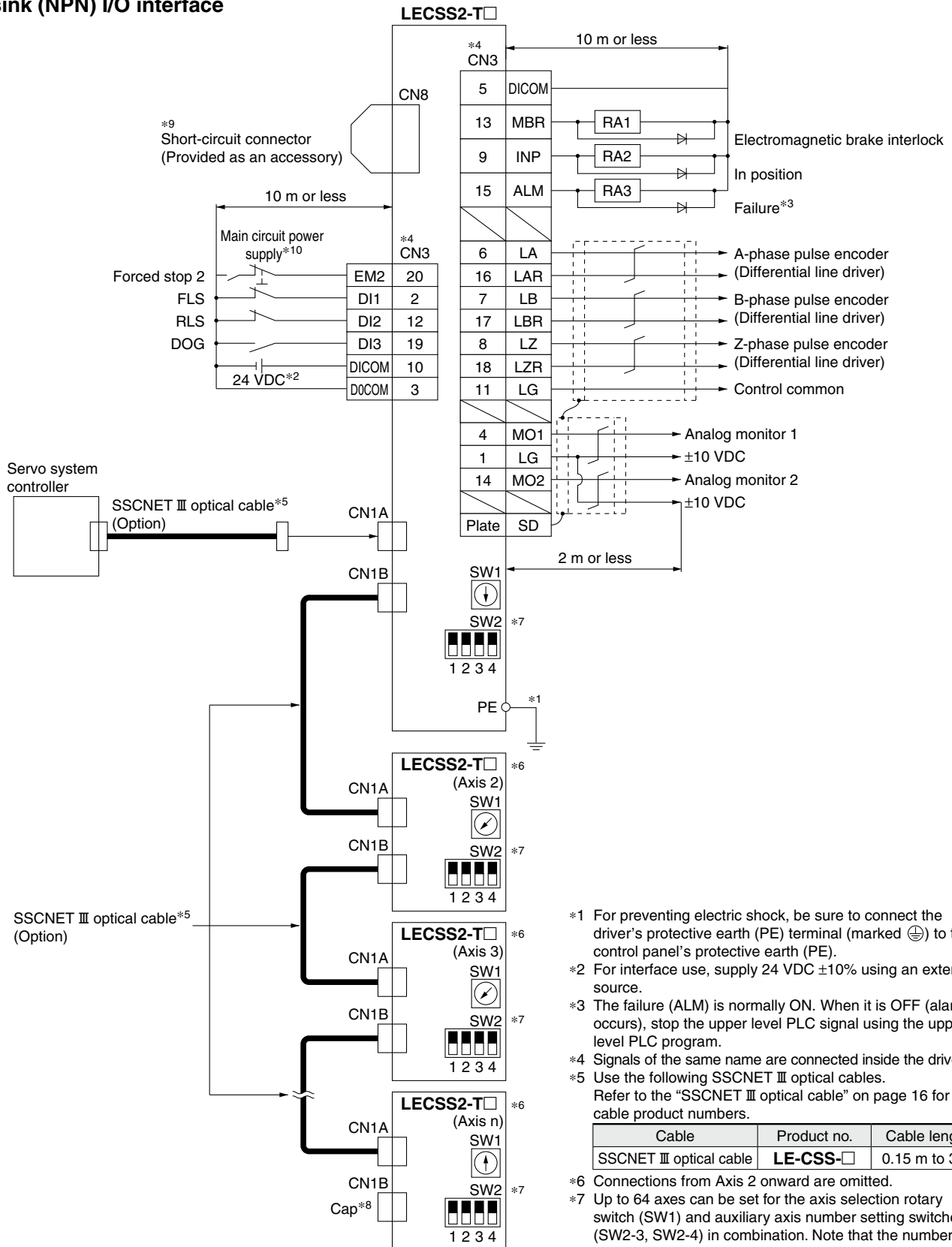


*1 For preventing electric shock, be sure to connect the servo amplifier's protective earth (PE) terminal (marked ⊕) to the control panel's protective earth (PE).
 *2 For interface use, supply 24 VDC ±10% using an external source. Set the total current capacity to 500 mA. 500 mA is the value when all I/O command signals are being used. In addition, reducing the number of inputs/outputs can decrease the current capacity.
 *3 The ALM (Failure) is normally ON. (Normally closed contact)
 *4 Signals of the same name are connected inside the servo amplifier.
 *5 When not using the STO function, use the servo amplifier with the short-circuit connector (provided as an accessory) inserted.
 *6 Configure a circuit to turn off EM2 when the main circuit power is turned off to prevent any unexpected restarts of the driver.
 *7 Output devices are not assigned in the initial status. Assign the output devices as necessary.

LECS□-T Series

Control Signal Wiring Example: LECSS2-T□

For sink (NPN) I/O interface



- *1 For preventing electric shock, be sure to connect the driver's protective earth (PE) terminal (marked ⊕) to the control panel's protective earth (PE).
- *2 For interface use, supply 24 VDC ±10% using an external source.
- *3 The failure (ALM) is normally ON. When it is OFF (alarm occurs), stop the upper level PLC signal using the upper level PLC program.
- *4 Signals of the same name are connected inside the driver.
- *5 Use the following SSCNET III optical cables. Refer to the "SSCNET III optical cable" on page 16 for cable product numbers.

Cable	Product no.	Cable length
SSCNET III optical cable	LE-CSS-□	0.15 m to 3 m

- *6 Connections from Axis 2 onward are omitted.
- *7 Up to 64 axes can be set for the axis selection rotary switch (SW1) and auxiliary axis number setting switches (SW2-3, SW2-4) in combination. Note that the number of connection axes depends on the specifications of the upper level PLC.
- *8 Be sure to place a cap on unused CN1A/CN1B.
- *9 When not using the STO function, use the driver with the short-circuit connector (provided as an accessory) inserted.
- *10 Configure a circuit to turn off EM2 when the main circuit power is turned off to prevent any unexpected restarts of the driver.

Options

Motor cable, Lock cable, Encoder cable (LECS□-T)

LE - CSM - S 5 A

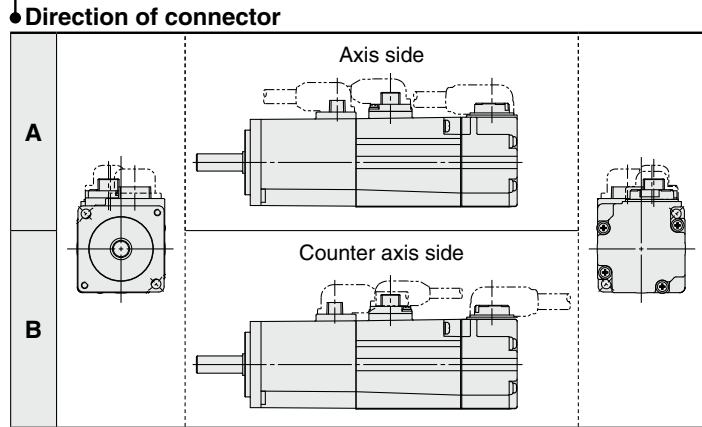
Motor type
S AC servo motor

Cable description
M Motor cable
B Lock cable
E Encoder cable

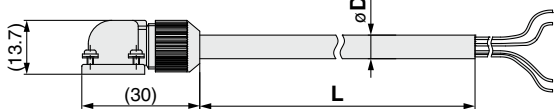
Cable type
S Standard cable
R Robotic cable

Cable length (L) [m]

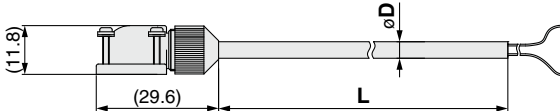
2	2
5	5
A	10



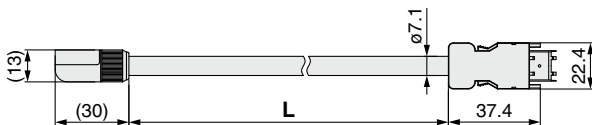
LE-CSM-□□: Motor cable



LE-CSB-□□: Lock cable*1



LE-CSE-□□: Encoder cable



*1 If using an actuator with a lock, a lock cable is required.

Product no.	øD
LE-CSM-S□A	6.2
LE-CSM-S□B	6.2
LE-CSM-R□A	5.7
LE-CSM-R□B	5.7

Product no.	øD
LE-CSB-S□A	4.7
LE-CSB-S□B	4.7
LE-CSB-R□A	4.5
LE-CSB-R□B	4.5

Weight

Product no.	Length [m]	Weight [g]
LE-CSM-S2□	2	180
LE-CSM-S5□	5	400
LE-CSM-SA□	10	800
LE-CSM-R2□	2	180
LE-CSM-R5□	5	400
LE-CSM-RA□	10	800

Weight

Product no.	Length [m]	Weight [g]
LE-CSB-S2□	2	80
LE-CSB-S5□	5	200
LE-CSB-SA□	10	400
LE-CSB-R2□	2	80
LE-CSB-R5□	5	200
LE-CSB-RA□	10	400

Weight

Product no.	Length [m]	Weight [g]
LE-CSE-S2□	2	220
LE-CSE-S5□	5	600
LE-CSE-SA□	10	1200
LE-CSE-R2□	2	220
LE-CSE-R5□	5	600
LE-CSE-RA□	10	1200

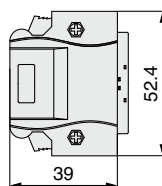
I/O connector (Without cable, Connector only)

LE - CSN B

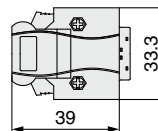
Driver type

B	LECSB2-T□
S	LECSS2-T□

LE-CSNB



LE-CSNS



Weight

Product no.	Weight [g]
LE-CSNB	30
LE-CSNS	16

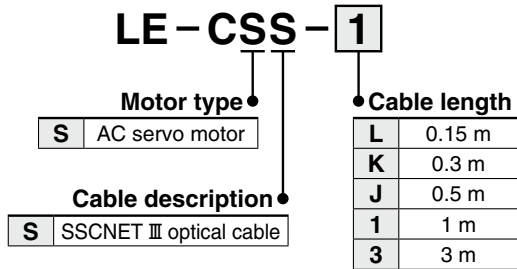
* LE-CSNB: 10150-3000PE (connector)/10350-52F0-008 (shell kit) manufactured by 3M Japan Limited or equivalent
 LE-CSNS: 10120-3000PE (connector)/10320-52F0-008 (shell kit) manufactured by 3M Japan Limited or equivalent
 * Applicable conductor size: AWG24 to 30

* If using the LECSB-T in any mode other than positioning mode, forced stop (EM2) wiring is required in all cases. (The electric actuator will not operate without the wiring.)
 Prepare an I/O connector or an I/O cable in advance.

LECS□-T Series

Options

SSCNET III optical cable (LECSS2-T□)

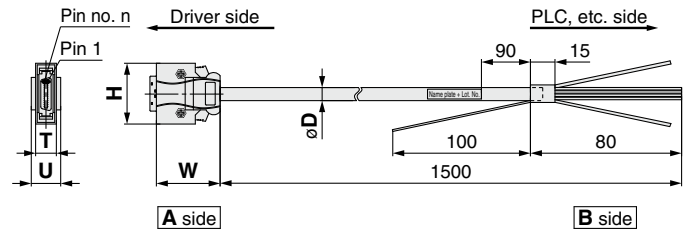
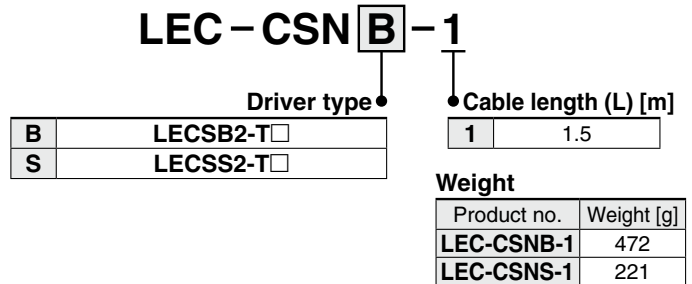


* LE-CSS-□ is MR-J3BUS□M manufactured by Mitsubishi Electric Corporation.

Weight

Product no.	Length [m]	Weight [g]
LE-CSS-L	0.15	100
LE-CSS-K	0.3	100
LE-CSS-J	0.5	200
LE-CSS-1	1	200
LE-CSS-3	3	200

I/O cable



- * LEC-CSNB-1: 10150-3000PE (connector)/10350-52F0-008 (shell kit) manufactured by 3M Japan Limited or equivalent
- LEC-CSNS-1: 10120-3000PE (connector)/10320-52F0-008 (shell kit) manufactured by 3M Japan Limited or equivalent
- * Conductor size: AWG24
- * If using the LECSSB-T in any mode other than positioning mode, forced stop (EM2) wiring is required in all cases. (The electric actuator will not operate without the wiring.)
- Prepare an I/O connector or an I/O cable in advance.

Cable O.D.

Product no.	øD
LEC-CSNB-1	13.8
LEC-CSNS-1	9.1

Dimensions/Pin Nos.

Product no.	W	H	T	U	Pin no. n
LEC-CSNB-1	39	52.4	12.7	18	26
LEC-CSNS-1		33.3		14	21

Wiring

LEC-CSNB-1: Pin nos. 1 to 50

LEC-CSNS-1: Pin nos. 1 to 20

Connector pin no.	Pair no. of wire	Insulation color	Dot mark	Dot color	
A side	1		■	Red	
	2	1	Orange	■	Black
	3	2	Light gray	■	Red
	4		■	Black	
	5	3	White	■	Red
	6		■	Black	
	7	4	Yellow	■	Red
	8		■	Black	
	9	5	Pink	■	Red
	10		■	Black	
	11	6	Orange	■ ■	Red
	12		■ ■	Black	
	13	7	Light gray	■ ■	Red
	14		■ ■	Black	
	15	8	White	■ ■	Red
	16		■ ■	Black	
	17	9	Yellow	■ ■	Red
	18		■ ■	Black	

Connector pin no.	Pair no. of wire	Insulation color	Dot mark	Dot color	
A side	19		■ ■	Red	
	20	10	Pink	■ ■	Black
	21	11	Orange	■ ■ ■	Red
	22		■ ■ ■	Black	
	23	12	Light gray	■ ■ ■	Red
	24		■ ■ ■	Black	
	25	13	White	■ ■ ■	Red
	26		■ ■ ■	Black	
	27	14	Yellow	■ ■ ■	Red
	28		■ ■ ■	Black	
	29	15	Pink	■ ■ ■	Red
	30		■ ■ ■	Black	
	31	16	Orange	■ ■ ■ ■	Red
	32		■ ■ ■ ■	Black	
	33	17	Light gray	■ ■ ■ ■	Red
	34		■ ■ ■ ■	Black	

Connector pin no.	Pair no. of wire	Insulation color	Dot mark	Dot color	
A side	35		■ ■ ■ ■	Red	
	36	18	White	■ ■ ■ ■	Black
	37	19	Yellow	■ ■ ■ ■	Red
	38		■ ■ ■ ■	Black	
	39	20	Pink	■ ■ ■ ■	Red
	40		■ ■ ■ ■	Black	
	41	21	Orange	■ ■ ■ ■ ■ (Continuous)	Red
	42		■ ■ ■ ■ ■ (Continuous)	Black	
	43	22	Light gray	■ ■ ■ ■ ■ (Continuous)	Red
	44		■ ■ ■ ■ ■ (Continuous)	Black	
	45	23	White	■ ■ ■ ■ ■ (Continuous)	Red
	46		■ ■ ■ ■ ■ (Continuous)	Black	
	47	24	Yellow	■ ■ ■ ■ ■ (Continuous)	Red
	48		■ ■ ■ ■ ■ (Continuous)	Black	
	49	25	Pink	■ ■ ■ ■ ■ (Continuous)	Red
	50		■ ■ ■ ■ ■ (Continuous)	Black	

Options

Regeneration option (LECS□-T)

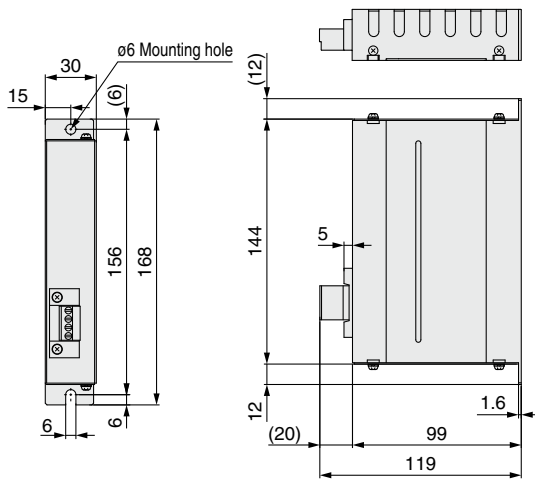
LEC-MR-RB-12

Regeneration option type

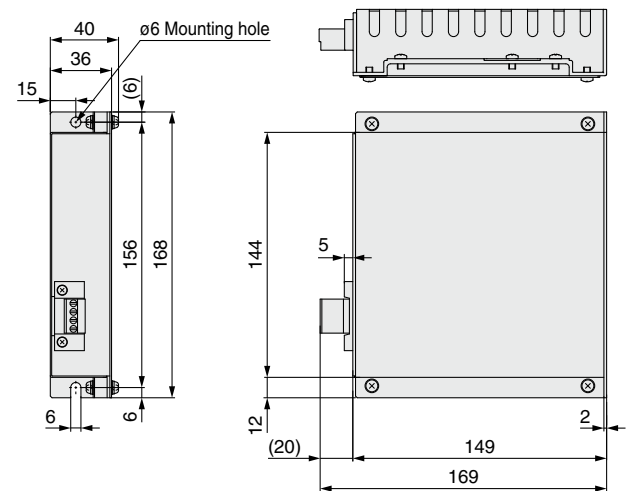
032	Allowable regenerative power 30 W
12	Allowable regenerative power 100 W

* Confirm regeneration option to be used in "Model Selection."

LEC-MR-RB-032



LEC-MR-RB-12



Weight

Product no.	Weight [kg]
LEC-MR-RB-032	0.5

* MR-RB032 manufactured by Mitsubishi Electric Corporation

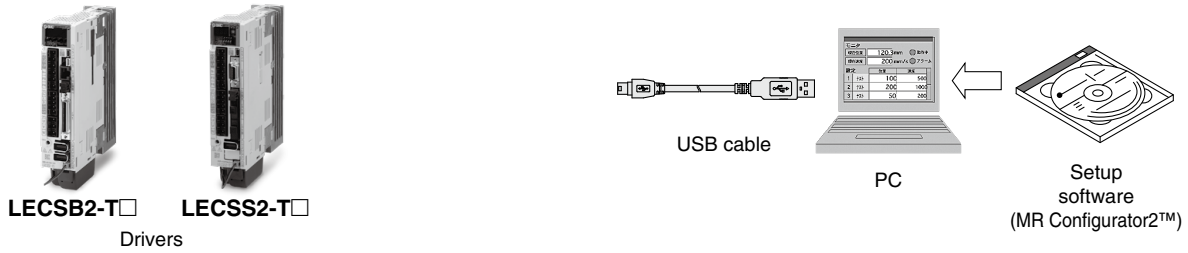
Weight

Product no.	Weight [kg]
LEC-MR-RB-12	1.1

* MR-RB12 manufactured by Mitsubishi Electric Corporation

LECS□-T Series

Options



Setup software (MR Configurator2™) (LECS□-T)

LEC-MRC2□

Display language

N	Japanese version
E	English version
C	Chinese version

* SW1DNC-MRC2-□ manufactured by Mitsubishi Electric Corporation
 Refer to Mitsubishi Electric Corporation's website for operating environment and version upgrade information.
 MR Configurator2™ is a registered trademark or trademark of Mitsubishi Electric Corporation.

Adjustment, waveform display, diagnostics, parameter reading/writing, and test operations can be performed on a PC.

Hardware Requirements*1 *3

Equipment	Description
OS	Microsoft® Windows® 11 Education Operating System Microsoft® Windows® 11 Enterprise Operating System Microsoft® Windows® 11 Pro Operating System Microsoft® Windows® 11 Home Operating System Microsoft® Windows® 10 Education Microsoft® Windows® 10 Enterprise Microsoft® Windows® 10 Pro Microsoft® Windows® 10 Home Microsoft® Windows® 10 IoT Enterprise 2016 LTSB*2 Microsoft® Windows® 8.1 Enterprise Microsoft® Windows® 8.1 Pro Microsoft® Windows® 8.1 Microsoft® Windows® 8 Enterprise Microsoft® Windows® 8 Pro Microsoft® Windows® 8 Microsoft® Windows® 7 Enterprise Microsoft® Windows® 7 Ultimate Microsoft® Windows® 7 Professional Microsoft® Windows® 7 Home Premium Microsoft® Windows® 7 Starter
CPU (Recommended)	Windows® 11 2-core or higher 64-bit compatible processor or System on a Chip (SoC)
	Other than Windows® 11 Desktop PC: Intel® Celeron® processor 2.8 GHz or higher Laptop: Intel® Pentium® M processor 1.7 GHz or higher
Memory (Recommended)	Windows® 11 4 GB or more (64-bit OS)
	Other than Windows® 11 1 GB or more (32-bit OS) 2 GB or more (64-bit OS)
Available HD space	1.5 GB or more
Display	Resolution: 1024 x 768 or more, Must be capable of high color (16-bit) display Connectable with the PCs listed above
USB cable	LEC-MR-J3USB
Ethernet cable	Cable type: Category 5e or higher, (Double shielded/STP) Straight cable Standards: IEEE 802.3 (1000BASE-T) or ANSI/TIA/EIA-568-B (Category 5e) Connector: Shielded RJ-45

*1 On some PCs, this software may not run properly.

*2 Only the 64-bit edition is supported.

*3 Surrogate pair characters and environment-dependent characters cannot be used.

Options

USB cable (3 m) (LECS□-T)

LEC-MR-J3USB

* MR-J3USBCBL3M manufactured by Mitsubishi Electric Corporation

Weight: 140 g

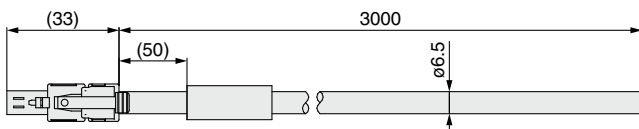
Cable for connecting the PC and driver when using the setup software (MR Configurator2™)
Do not use any cable other than this cable.

STO cable (3 m) (Only for LECSB2-T□ and LECSS2-T□)

LEC-MR-D05UDL3M

* MR-D05UDL3M-B manufactured by Mitsubishi Electric Corporation

Cable for connecting the driver and device, when using the safety function
Do not use any cable other than this cable.



Weight: 500 g

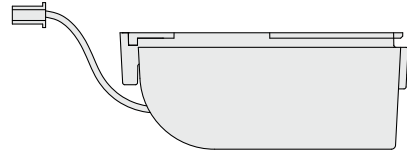
Battery

Replacement batteries must be purchased from Mitsubishi Electric Corporation.

Part no.: MR-BAT6V1SET manufactured by Mitsubishi Electric Corporation

Battery for replacement

Absolute position data is maintained by installing the battery to the driver.



Weight: 60 g

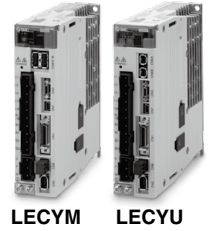
* The MR-BAT6V1SET is an assembled battery that uses a lithium metal battery 2CR17335A.

When transporting lithium metal batteries and devices with built-in lithium metal batteries by a method subject to UN regulations, it is necessary to apply measures according to the regulations stipulated in the United Nations Recommendations on the Transport of Dangerous Goods, the Technical Instructions (ICAO-TI) of the International Civil Aviation Organization (ICAO), and the International Maritime Dangerous Goods Code (IMDG CODE) of the International Maritime Organization (IMO). If a customer is to transport such products, it is necessary for them to confirm the latest regulations, or the laws and regulations of the country of transport, on their own in order to apply the proper measures.

AC Servo Motor Driver Absolute Type

LECYM/LECYU Series

(MECHATROLINK-II Type) (MECHATROLINK-III Type)



* For details, refer to the Web Catalog.

How to Order

Driver

LECYM 2 -

Driver type

M	MECHATROLINK-II type (For absolute encoder)
U	MECHATROLINK-III type (For absolute encoder)

Power supply voltage

2	200 to 230 VAC, 50/60 Hz
---	--------------------------

- * If an I/O connector (CN1) is required, order the part number "LE-CYNA" separately.
- * If an I/O cable (CN1) is required, order the part number "LEC-CSNA-1" separately.

Compatible motor type

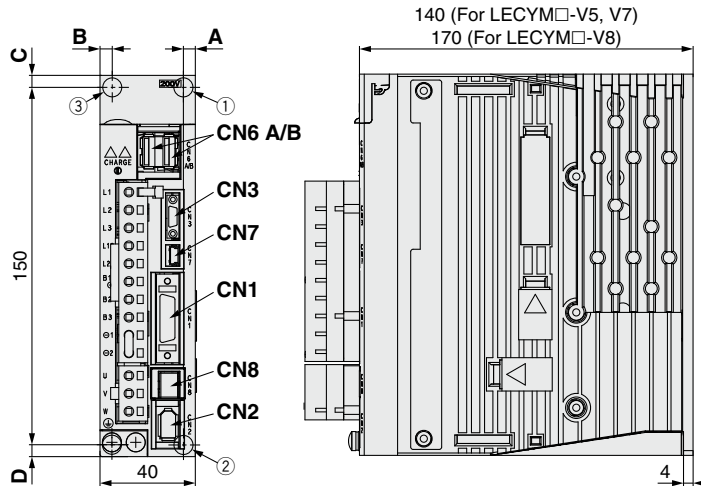
Symbol	Type	Capacity	Encoder
V5	AC servo motor (V6*1)	100 W	Absolute
V7	AC servo motor (V7*1)	200 W	
V8	AC servo motor (V8*1)	400 W	

*1 The symbol shows the motor type (actuator).

Dimensions

MECHATROLINK-II type

LECYM2-V□



Connector name	Description
CN1	I/O signal connector
CN2	Encoder connector
CN3*1	Digital operator connector
CN6A	MECHATROLINK-II communication connector
CN6B	MECHATROLINK-II communication connector
CN7	PC connector
CN8	Safety connector

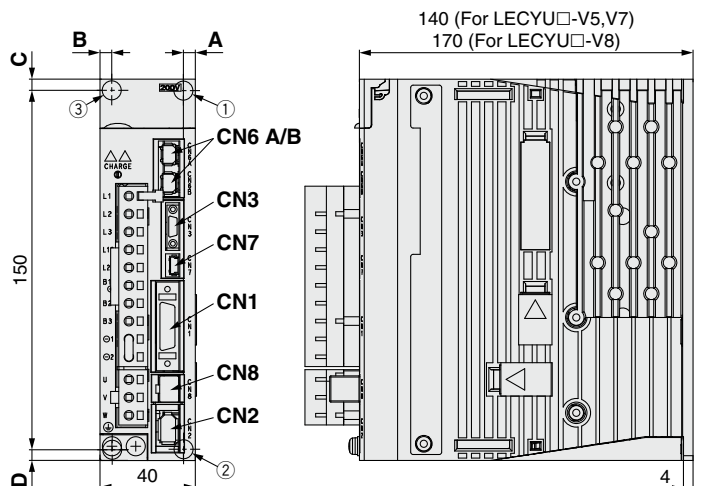
*1 Digital operator is JUSP-OP05A-1-E manufactured by YASKAWA Electric Corporation. When using the digital operator, it should be provided by the customer.

Motor capacity	Hole position	A	B	C	D	Mounting hole
V5 (100 W)	①②	5	—	5	5	ø5
V7 (200 W)	①②	5	—	5	5	
V8 (400 W)	②③	5	5	5	5	

* The mounting hole position varies depending on the motor capacity.

MECHATROLINK-III type

LECYU2-V□



Connector name	Description
CN1	I/O signal connector
CN2	Encoder connector
CN3*1	Digital operator connector
CN6A	MECHATROLINK-III communication connector
CN6B	MECHATROLINK-III communication connector
CN7	PC connector
CN8	Safety connector

*1 Digital operator is JUSP-OP05A-1-E manufactured by YASKAWA Electric Corporation. When using the digital operator, it should be provided by the customer.

Motor capacity	Hole position	A	B	C	D	Mounting hole
V5 (100 W)	①②	5	—	5	5	ø5
V7 (200 W)	①②	5	—	5	5	
V8 (400 W)	②③	5	5	5	5	

* The mounting hole position varies depending on the motor capacity.

Specifications

MECHATROLINK-II Type

Model		LECYM2-V5	LECYM2-V7	LECYM2-V8
Rated power supply capacity [kVA]		0.3	0.6	1
Max. power supply capacity [kVA]		1.05	2.1	3.5
Compatible motor capacity [W]		100	200	400
Compatible encoder		Absolute 20-bit encoder (Resolution: 1048576 p/rev)		
Main circuit power supply	Power voltage [V]*2	Three phase 200 to 230 VAC (50/60 Hz)		
	Allowable voltage fluctuation [V]*2	Three phase 170 to 253 VAC		
Control power supply	Power voltage [V]	Single phase 200 to 230 VAC (50/60 Hz)		
	Allowable voltage fluctuation [V]	Single phase 170 to 253 VAC		
Power supply capacity (at rated output) [A]		0.91	1.6	2.8
Input circuit		NPN (Sink circuit)/PNP (Source circuit)		
Parallel input (7 inputs)	Number of optional allocations	7 inputs	[Initial allocation] · Homing deceleration switch (/DEC) · External latch (/EXT 1 to 3) · Forward run prohibited (P-OT), reverse run prohibited (N-OT) [Can be allocated by setting the parameters] · Forward external torque limit (/P-CL), reverse external torque limit (/N-CL) Signal allocations can be performed, and positive and negative logic can be changed.	
			Number of fixed allocations	1 output
Parallel output (4 outputs)	Number of optional allocations	3 outputs	[Initial allocation] · Lock (/BK) [Can be allocated by setting the parameters] · Positioning completion (/COIN) · Speed limit detection (/VLT) · Speed coincidence detection (/V-CMP) · Rotation detection (/TGON) · Warning (/WARN) · Servo ready (/S-RDY) · Near (/NEAR) · Torque limit detection (/CLT) Signal allocations can be performed, and positive and negative logic can be changed.	
			Number of fixed allocations	1 output
MECHATROLINK communication	Communication protocol	MECHATROLINK-II		
	Station address	41H to 5FH		
	Transmission speed	10 Mbps		
	Transmission cycle	250 μs, 0.5 ms to 4 ms (Multiples of 0.5 ms)		
	Number of transmission bytes	17 bytes, 32 bytes		
	Max. number of stations	30		
	Cable length	Overall cable length: 50 m or less, Cable length between the stations: 0.5 m or more		
Command method	Control method	Position, speed, or torque control with MECHATROLINK-II communication		
	Command input	MECHATROLINK-II command (Motion, data setting, monitoring, or adjustment)		
Function	Gain adjustment	Tuning-less/Advanced auto tuning/One-parameter tuning		
	Communication setting	USB communication, RS-422 communication		
	Torque limit	Internal torque limit, external torque limit, and torque limit by analog command		
	Encoder output	Phase A, B, Z: Line driver output		
	Emergency stop	CN8 Safety function		
	Overtravel	Dynamic brake stop, deceleration to a stop, or free run to a stop at P-OT or N-OT		
Alarm	Alarm signal, MECHATROLINK-II command			
Operating temperature range [°C]		0 to 55 (No freezing)		
Operating humidity range [%RH]		90 or less (No condensation)		
Storage temperature range [°C]		-20 to 85 (No freezing)		
Storage humidity range [%RH]		90 or less (No condensation)		
Insulation resistance [MΩ]		10 MΩ (500 VDC)		
Safety function		STO (IEC 61800-5-2)		
Safety standards*1		EN ISO 13849-1 Category 3 PL d, IEC 61508 SIL2, IEC 62061 SIL CL2, IEC 61800-5-2		
Weight [g]		900	1000	

*1 Refer to the LECYM operation manual for details.

*2 Three phase 400 VAC is not supported.

Specifications

MECHATROLINK-III Type

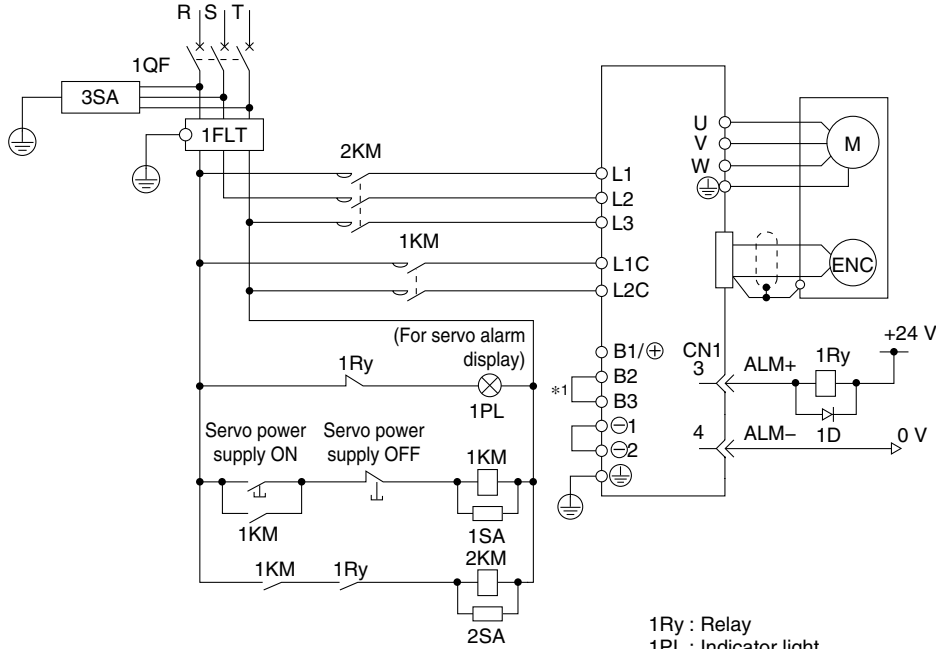
Model		LECYU2-V5	LECYU2-V7	LECYU2-V8
Rated power supply capacity [kVA]		0.3	0.6	1
Max. power supply capacity [kVA]		1.05	2.1	3.5
Compatible motor capacity [W]		100	200	400
Compatible encoder		Absolute 20-bit encoder (Resolution: 1048576 p/rev)		
Main circuit power supply	Power voltage [V]*2	Three phase 200 to 230 VAC (50/60 Hz)		
	Allowable voltage fluctuation [V]*2	Three phase 170 to 253 VAC		
Control power supply	Power voltage [V]	Single phase 200 to 230 VAC (50/60 Hz)		
	Allowable voltage fluctuation [V]	Single phase 170 to 253 VAC		
Power supply capacity (at rated output) [A]		0.91	1.6	2.8
Input circuit		NPN (Sink circuit)/PNP (Source circuit)		
Parallel input (7 inputs)	Number of optional allocations	7 inputs	[Initial allocation] · Homing deceleration switch (/DEC) · External latch (/EXT 1 to 3) · Forward run prohibited (P-OT), reverse run prohibited (N-OT) [Can be allocated by setting the parameters] · Forward external torque limit (/P-CL), reverse external torque limit (/N-CL) Signal allocations can be performed, and positive and negative logic can be changed.	
Parallel output (4 outputs)	Number of fixed allocations	1 output	· Servo alarm (ALM)	
	Number of optional allocations	3 outputs	[Initial allocation] · Lock (/BK) [Can be allocated by setting the parameters] · Positioning completion (/COIN) · Speed limit detection (/VLT) · Speed coincidence detection (/V-CMP) · Rotation detection (/TGON) · Warning (/WARN) · Servo ready (/S-RDY) · Near (/NEAR) · Torque limit detection (/CLT) Signal allocations can be performed, and positive and negative logic can be changed.	
MECHATROLINK communication	Communication protocol	MECHATROLINK-III		
	Station address	03H to EFH		
	Transmission speed	100 Mbps		
	Transmission cycle	125 μs, 250 μs, 500 μs, 750 μs, 1 ms to 4 ms (Multiples of 0.5 ms)		
	Number of transmission bytes	16 bytes, 32 bytes, 48 bytes		
	Max. number of stations	62		
	Cable length	Cable length between the stations: 0.5 m or more, 75 m or less		
Command method	Control method	Position, speed, or torque control with MECHATROLINK-III communication		
	Command input	MECHATROLINK-III command (Motion, data setting, monitoring, or adjustment)		
Function	Gain adjustment	Tuning-less/Advanced auto tuning/One-parameter tuning		
	Communication setting	USB communication, RS-422 communication		
	Torque limit	Internal torque limit, external torque limit, and torque limit by analog command		
	Encoder output	Phase A, B, Z: Line driver output		
	Emergency stop	CN8 Safety function		
	Overtravel	Dynamic brake stop, deceleration to a stop, or free run to a stop at P-OT or N-OT		
Alarm	Alarm signal, MECHATROLINK-III command			
Operating temperature range [°C]		0 to 55 (No freezing)		
Operating humidity range [%RH]		90 or less (No condensation)		
Storage temperature range [°C]		-20 to 85 (No freezing)		
Storage humidity range [%RH]		90 or less (No condensation)		
Insulation resistance [MΩ]		10 MΩ (500 VDC)		
Safety function		STO (IEC 61800-5-2)		
Safety standards*1		EN ISO 13849-1 Category 3 PL d, IEC 61508 SIL2, IEC 62061 SIL CL2, IEC 61800-5-2		
Weight [g]		900	1000	

*1 Refer to the LECYU operation manual for details.

*2 Three phase 400 VAC is not supported.

Power Supply Wiring Example: LECY□

■ Three phase 200 V **LECYM2-□**
LECYU2-□



1QF : Molded-case circuit breaker
 1FLT: Noise filter
 1KM : Magnetic contactor (for control power supply)
 2KM : Magnetic contactor (for main circuit power supply)

1Ry : Relay
 1PL : Indicator light
 1SA : Surge absorber
 2SA : Surge absorber
 3SA : Surge absorber
 1D : Flywheel diode

*1 For the LECY□2-V5, LECY□2-V7, and LECY□2-V8, terminals B2 and B3 are not short-circuited. Do not short-circuit these terminals.
 * Three phase 400 VAC is not supported.

Main Circuit Power Supply Connector * Accessory

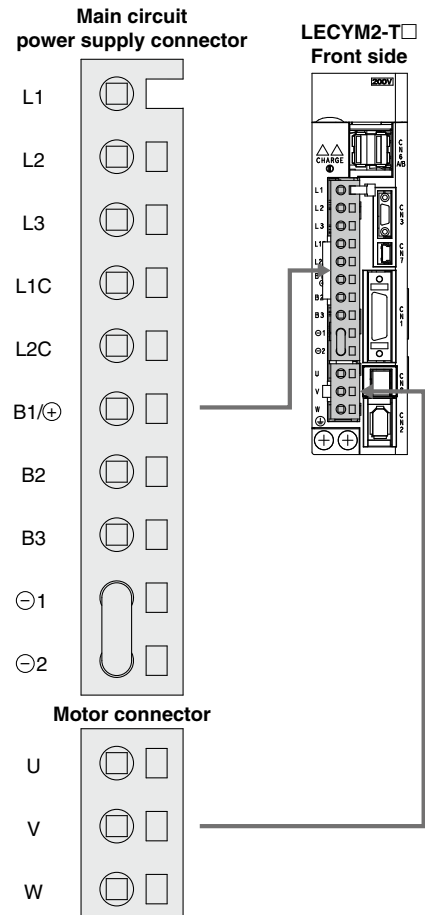
Terminal name	Function	Details
L1	Main circuit power supply	Connect the main circuit power supply. Single phase 200 to 230 VAC, 50/60 Hz Connection terminal: L1, L2
L2		
L3		
L1C	Control power supply	Connect the control power supply. Single phase 200 to 230 VAC, 50/60 Hz Connection terminal: L1C, L2C
L2C		
B1/⊕	External regenerative resistor connection terminal	When the regenerative resistor is required, connect it between terminals B1/⊕ and B2.
B2		
B3		
⊖1	Main circuit negative terminal	⊖1 and ⊖2 are connected at shipment.
⊖2		

Motor Connector * Accessory

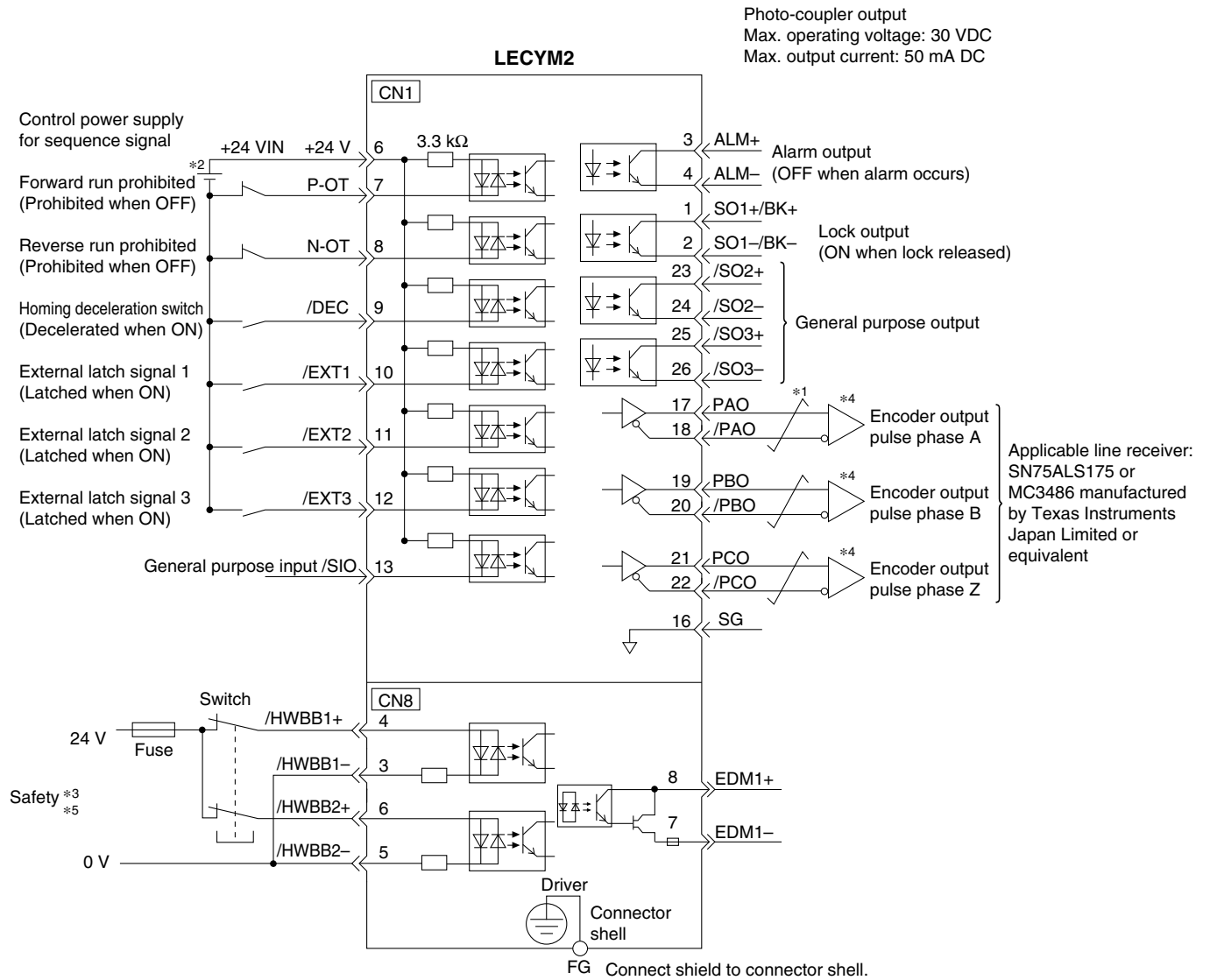
Terminal name	Function	Details
U	Servo motor power (U)	Connect to motor cable (U, V, W).
V	Servo motor power (V)	
W	Servo motor power (W)	

Power Supply Wire Specifications

Item	Specifications
Applicable wire size	L1, L2, L3, L1C, L2C Single wire, Twisted wire, AWG14 (2.0 mm ²)
Stripped wire length	8 to 9 mm



Control Signal Wiring Example: LECYM



*1 $\overline{\text{---}}$ shows twisted-pair wires.

*2 The 24 VDC power supply is not included. Use a 24 VDC power supply with double insulation or reinforced insulation.

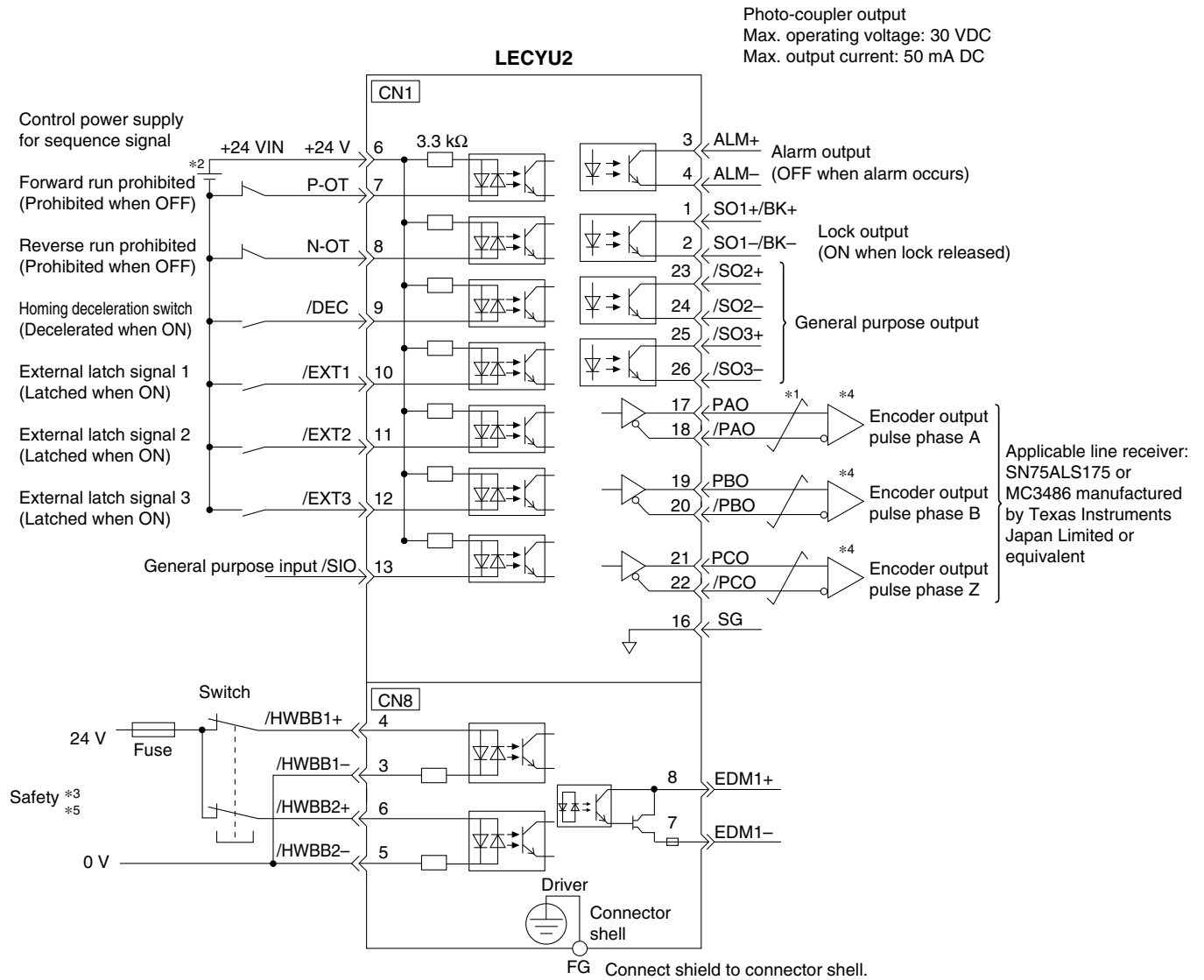
*3 When using the safety function, a safety function device must be connected to the wiring that is necessary to activate the safety function. Otherwise, the servo motor is not turned ON. When not using the safety function, use the driver with the Safety Jumper Connector (provided as an accessory) inserted into the CN8.

*4 Always use line receivers to receive the output signals.

** The functions allocated to the input signals /DEC, P-OT, N-OT, /EXT1, /EXT2, and /EXT3, and the output signals /SO1, /SO2, and /SO3 can be changed by setting the parameters.

*5 It is a safety function equivalent to the STO function (IEC 61800-5-2) using the hard wire base block function (HWBB).

Control Signal Wiring Example: LECYU



- *1 $\overline{\text{---}}$ shows twisted-pair wires.
- *2 The 24 VDC power supply is not included. Use a 24 VDC power supply with double insulation or reinforced insulation.
- *3 When using the safety function, a safety function device must be connected to the wiring that is necessary to activate the safety function. Otherwise, the servo motor is not turned ON. When not using the safety function, use the driver with the Safety Jumper Connector (provided as an accessory) inserted into the CN8.
- *4 Always use line receivers to receive the output signals.
** The functions allocated to the input signals /DEC, P-OT, N-OT, /EXT1, /EXT2, and /EXT3, and the output signals /SO1, /SO2, and /SO3 can be changed by setting the parameters.
- *5 It is a safety function equivalent to the STO function (IEC 61800-5-2) using the hard wire base block function (HWBB).

Options

Motor cable, Motor cable for lock option, Encoder cable (LECYM/LECYU common)

LE-CY M-S 5 A-5

Motor type

Y	AC servo motor
---	----------------

Cable description

M	Motor cable
B	Motor cable for lock option
E	Encoder cable (With battery case)

Cable type

S	Standard cable
R	Robotic cable

Cable length (L) [m]

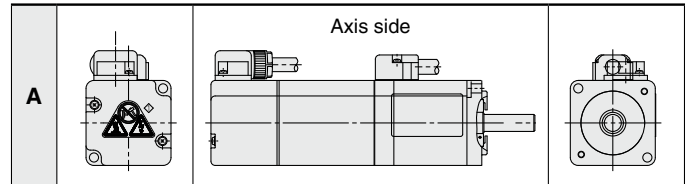
3	3
5	5
A	10
C	20

Motor capacity

5	100 W
7	200/400 W

* For encoder cable, the suffix "-□" (Motor capacity) is not necessary.

Direction of connector

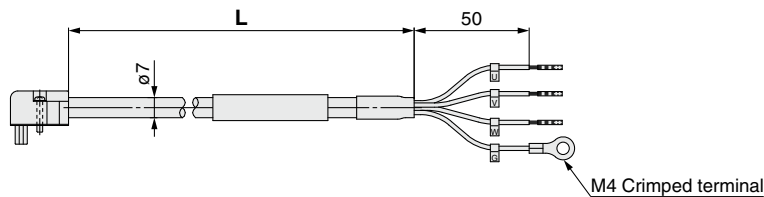


* The cable entry direction is axis side only.

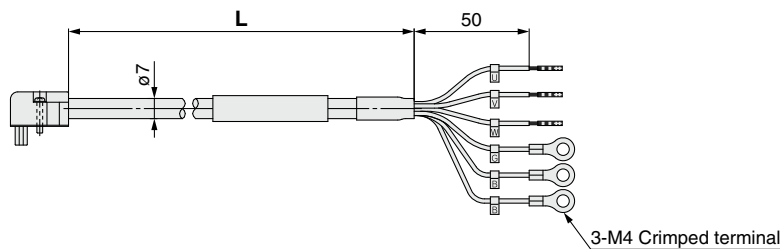
Weight

Product no.	Length [m]	Weight [g]	Note
LE-CYM-S3A-5	3	250	100 W
LE-CYM-S5A-5	5	390	
LE-CYM-SAA-5	10	750	
LE-CYM-SCA-5	20	1500	200/ 400 W
LE-CYM-S3A-7	3	250	
LE-CYM-S5A-7	5	390	
LE-CYM-SAA-7	10	750	100 W
LE-CYM-SCA-7	20	1500	
LE-CYM-R3A-5	3	220	
LE-CYM-R5A-5	5	350	200/ 400 W
LE-CYM-RAA-5	10	670	
LE-CYM-RCA-5	20	1300	
LE-CYM-R3A-7	3	220	100 W
LE-CYM-R5A-7	5	350	
LE-CYM-RAA-7	10	670	
LE-CYM-RCA-7	20	1300	200/ 400 W

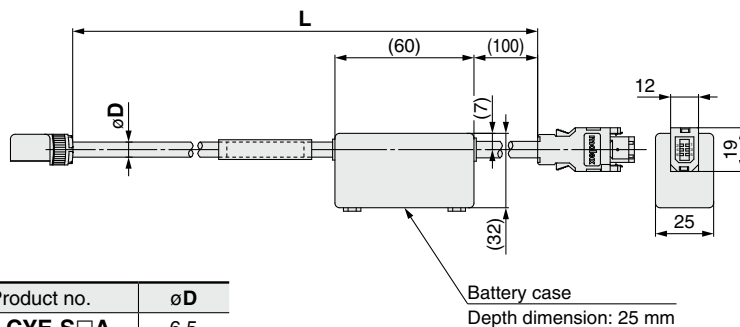
LE-CYM-□□A-□: Motor cable



LE-CYB-□□A-□: Motor cable for lock option



LE-CYE-□□A: Encoder cable



Product no.	øD
LE-CYE-S□A	6.5
LE-CYE-R□A	6.8

Battery case
Depth dimension: 25 mm

Weight

Product no.	Length [m]	Weight [g]	Note
LE-CYB-S3A-5	3	240	100 W
LE-CYB-S5A-5	5	390	
LE-CYB-SAA-5	10	750	
LE-CYB-SCA-5	20	1490	200/ 400 W
LE-CYB-S3A-7	3	240	
LE-CYB-S5A-7	5	390	
LE-CYB-SAA-7	10	750	100 W
LE-CYB-SCA-7	20	1490	
LE-CYB-R3A-5	3	220	
LE-CYB-R5A-5	5	350	200/ 400 W
LE-CYB-RAA-5	10	670	
LE-CYB-RCA-5	20	1300	
LE-CYB-R3A-7	3	220	100 W
LE-CYB-R5A-7	5	350	
LE-CYB-RAA-7	10	670	
LE-CYB-RCA-7	20	1300	200/ 400 W

Weight

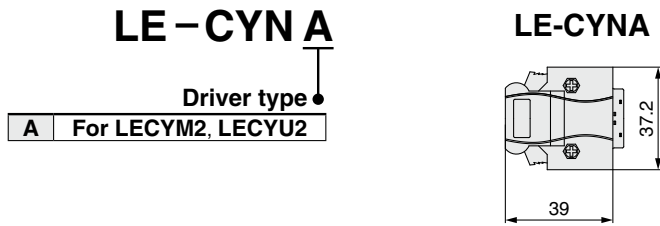
Product no.	Length [m]	Weight [g]
LE-CYE-S3A	3	230
LE-CYE-S5A	5	360
LE-CYE-SAA	10	680
LE-CYE-SCA	20	1250
LE-CYE-R3A	3	220
LE-CYE-R5A	5	330
LE-CYE-RAA	10	660
LE-CYE-RCA	20	1240

* LE-CYM-S□A-□ is JZSP-CSM0□-□□-E manufactured by YASKAWA CONTROLS CO., LTD.
LE-CYB-S□A-□ is JZSP-CSM1□-□□-E manufactured by YASKAWA CONTROLS CO., LTD.
LE-CYE-S□A is JZSP-CSP05-□□-E manufactured by YASKAWA CONTROLS CO., LTD.

LE-CYM-R□A-□ is JZSP-CSM2□-□□-E manufactured by YASKAWA CONTROLS CO., LTD.
LE-CYB-R□A-□ is JZSP-CSM3□-□□-E manufactured by YASKAWA CONTROLS CO., LTD.
LE-CYE-R□A is JZSP-CSP25-□□-E manufactured by YASKAWA CONTROLS CO., LTD.

Options

I/O connector (Without cable, Connector only)

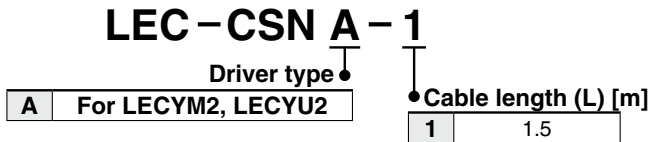


Weight

Product no.	Weight [g]
LE-CYNA	25

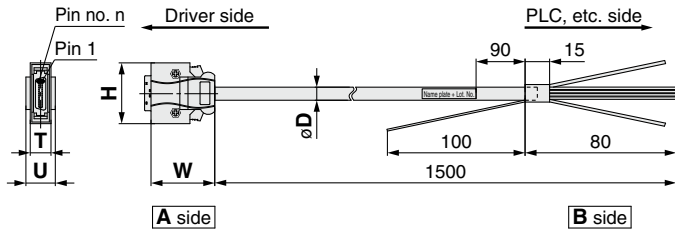
* LE-CYNA: 10126-3000PE (connector)/10326-52F0-008 (shell kit) manufactured by 3M Japan Limited or equivalent
 * Conductor size: AWG24 to 30

I/O cable



Weight

Product no.	Weight [g]
LEC-CSNA-1	303



* LEC-CSNA-1: 10126-3000PE (connector)/10326-52F0-008 (shell kit) manufactured by 3M Japan Limited or equivalent
 * Conductor size: AWG24

Wiring

LEC-CSNA-1: Pin nos. 1 to 26

Connector pin no.	Pair no. of wire	Insulation color	Dot mark	Dot color	Connector pin no.	Pair no. of wire	Insulation color	Dot mark	Dot color	Connector pin no.	Pair no. of wire	Insulation color	Dot mark	Dot color		
A side	1	Orange	■	Red	A side	11	Orange	■ ■	Red	A side	21	Orange	■ ■ ■	Red		
	2		■	Black		12		■ ■	Black		22		■ ■ ■	Black		
	3	Light gray	■	Red		13	Light gray	■ ■	Red		23	Light gray	12	Light gray	■ ■ ■	Red
	4		■	Black		14		■ ■	Black		24				■ ■ ■	Black
	5	White	■	Red		15	White	■ ■	Red		25	White	13	White	■ ■ ■	Red
	6		■	Black		16		■ ■	Black		26				■ ■ ■	Black
	7	Yellow	■	Red		17	Yellow	■ ■	Red							
	8		■	Black		18		■ ■	Black							
	9	Pink	■	Red		19	Pink	■ ■	Red							
	10		■	Black		20		■ ■	Black							

Cable O.D.

Product no.	øD
LEC-CSNA-1	11.1

Dimensions/Pin No.

Product no.	W	H	T	U	Pin no. n
LEC-CSNA-1	39	37.2	12.7	14	14

LECY^M_U Series

Options

MECHATROLINK cable type

LEC-CY **M** - **1**

Motor type

Y AC servo motor

Cable description

M MECHATROLINK-II cable
U MECHATROLINK-III cable

Cable length (L)

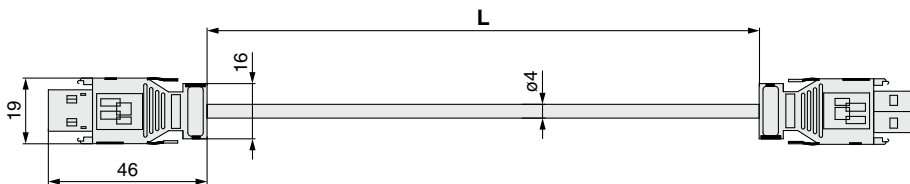
L ^{*1}	0.2 m
J	0.5 m
1	1 m
3	3 m

*1 Not available for the MECHATROLINK-II cable

* LEC-CYM-□ is JEPMC-W6002-□□-E manufactured by YASKAWA CONTROLS CO., LTD.

* LEC-CYU-□ is JEPMC-W6012-□□-E manufactured by YASKAWA CONTROLS CO., LTD.

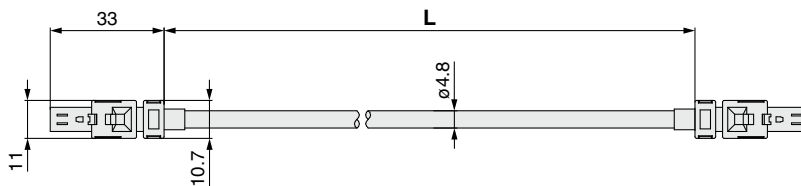
MECHATROLINK-II cable



Weight

Product no.	Length [m]	Weight [g]
LEC-CYM-J	0.5	50
LEC-CYM-1	1	80
LEC-CYM-3	3	200

MECHATROLINK-III cable



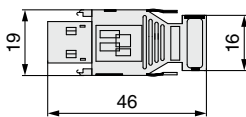
Weight

Product no.	Length [m]	Weight [g]
LEC-CYU-L	0.2	21
LEC-CYU-J	0.5	41
LEC-CYU-1	1	75
LEC-CYU-3	3	205

Terminating connector for MECHATROLINK-II

LEC-CYRM

* LEC-CYRM is JEPMC-W6022-E manufactured by YASKAWA CONTROLS CO., LTD.

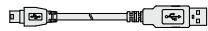


Weight: 10 g

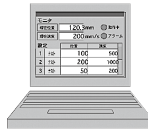
Options



LECYM2 LECYU2
Drivers



USB cable



PC

Setup software (SigmaWin+™) (LECYM/LECYU common)

* Please download the SigmaWin+™ via our website.
SigmaWin+™ is a registered trademark or trademark of YASKAWA Electric Corporation.

Adjustment, waveform display, parameter reading/writing, and test operations can be performed on a PC.

Compatible PCs

When using the setup software (SigmaWin+™), use an IBM PC/AT compatible PC that meets the following operating conditions.

Hardware Requirements

Equipment		Setup software (SigmaWin+™) Ver. 5	Setup software (SigmaWin+™) Ver. 7
*1, 2, 3, 4 PC	OS	Windows® XP*5, Windows Vista®, Windows® 7 (32-bit/64-bit)	Compatible with 64-bit OS · Windows 11, Windows 10, Windows 8.1*7, Windows 7 SP1*8 Compatible with 32-bit OS · Windows 10, Windows 8.1*7, Windows 7 SP1*8
	Available HD space	350 MB or more (When the software is installed, 400 MB or more is recommended.)	500 MB or more
	Communication interface	Uses the USB port	
Display	XVGA monitor (1024 x 768 or more, used with small font) 256 color or more (65536 color or more is recommended) Connectable with the PCs listed above	Resolution: 1280 x 800 or more (Recommended) Connectable with the PCs listed above	
Keyboard	Connectable with the PCs listed above		
Mouse	Connectable with the PCs listed above		
Printer	Connectable with the PCs listed above		
USB cable	LEC-JZ-CVUSB*6		
Other	Adobe Reader Ver. 5.0 or higher (* Excludes Ver. 6.0)		—

- *1 Windows, Windows Vista®, Windows® 7, Windows® 8.1, Windows® 10, and Windows® 11 are registered trademarks of Microsoft Corporation in the United States and/or other countries.
- *2 On some PCs, this software may not run properly.
- *3 Not compatible with 64-bit Windows® XP and 64-bit Windows Vista®
- *4 For Windows® XP, install and run the software as an administrator.
- *5 For PCs that have HotfixQ328310 installed, installation of the software is likely to fail. In such cases, install HotfixQ329623 instead.
- *6 Order a USB cable separately.
- *7 WindowsUpdate KB2919442, KB2919355, and KB2999226 are required.
- *8 WindowsUpdate KB2999226 is required.

Battery (LECYM/LECYU common)

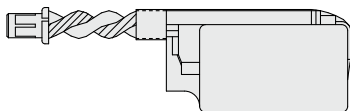
Replacement batteries must be purchased from YASKAWA Electric Corporation.

Part no.: JZSP-BA01

manufactured by YASKAWA Electric Corporation

Battery for replacement

Absolute position data is maintained by installing the battery to the battery case of the encoder cable.



Weight: 10 g

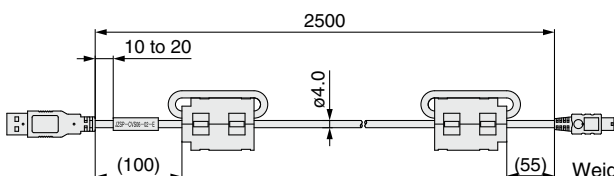
USB cable (2.5 m)

LEC-JZ-CVUSB

* JZSP-CVUS06-02-E manufactured by YASKAWA CONTROLS CO., LTD.

Cable for connecting the PC and driver when using the setup software (SigmaWin+™)

Do not use any cable other than this cable.



Weight: 150 g

* The JZSP-BA01 is a single battery that uses a lithium metal battery ER3V.

When transporting lithium metal batteries and devices with built-in lithium metal batteries by a method subject to UN regulations, it is necessary to apply measures according to the regulations stipulated in the United Nations Recommendations on the Transport of Dangerous Goods, the Technical Instructions (ICAO-TI) of the International Civil Aviation Organization (ICAO), and the International Maritime Dangerous Goods Code (IMDG CODE) of the International Maritime Organization (IMO). If a customer is to transport such products, it is necessary for them to confirm the latest regulations, or the laws and regulations of the country of transport, on their own in order to apply the proper measures.

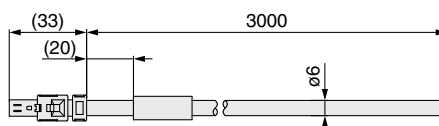
Cable for safety function device (3 m)

LEC-JZ-CVSAF

* JZSP-CVH03-03-E manufactured by YASKAWA CONTROLS CO., LTD.

Cable for connecting the driver and device when using the safety function

Do not use any cable other than this cable.



Weight: 160 g



LECS□-T/LECY□ Series

Specific Product Precautions 1

Be sure to read this before handling the products. For safety instructions and electric actuators precautions, refer to the “Handling Precautions for SMC Products” and the “Operation Manual” on the SMC website: <https://www.smcworld.com>

Design / Selection

Warning

- 1. Be sure to apply the specified voltage.**
Otherwise, malfunction or breakage may occur. If the applied voltage is lower than the specified voltage, it is possible that the load will not be able to be moved due to an internal voltage drop of the driver. Please check the operating voltage before use.
- 2. Do not operate the product beyond the specifications.**
Otherwise, a fire, malfunction, or actuator damage may result. Please check the specifications before use.
- 3. Install an emergency stop circuit.**
Please install an emergency stop outside of the enclosure so that the system operation can be stopped immediately and the power supply can be intercepted.
- 4. In order to prevent any damage caused by the breakdown or malfunction of the driver and its peripheral devices, a backup system should be established in advance by giving a multiple-layered structure or a fail-safe design to the equipment, etc.**
- 5. If the danger of human injury is expected due to abnormal heat generation, smoking, ignition, etc., of the driver and its peripheral devices, cut off the power supply of the product and the system immediately.**
- 6. The parameters of the driver are set to initial values. Please change the parameters according to the specifications of the customer's equipment before use. Refer to the operation manual for parameter details.**

Handling

Warning

- 1. Do not touch the inside of the driver and its peripheral devices.**
Doing so may cause an electric shock or damage to the driver.
- 2. Do not perform the operation or setting of the product with wet hands.**
Doing so may cause an electric shock.
- 3. Products with damage or those missing any components should not be used.**
An electric shock, fire, or injury may result.
- 4. Use only the specified combination between the electric actuator and the driver.**
Failure to do so may cause damage to the actuator or the driver.
- 5. Be careful not to be hit by workpieces while the actuator is moving.**
It may cause an injury.
- 6. Do not connect the power supply or power on the product before confirming the area to which the workpiece moves is safe.**
The movement of the workpiece may cause an accident.
- 7. Do not touch the product when it is energized and for some time after the power has been disconnected, as it is very hot.**
Doing so may lead to a burn due to the high temperature.
- 8. Before installation, wiring, and maintenance, the voltage should be checked with a tester 5 minutes after the power supply has been turned off.**
Otherwise, an electric shock, fire, or injury may result.

Handling

Warning

- 9. Static electricity may cause a malfunction or break the driver. Do not touch the driver while power is supplied.**
When touching the driver for maintenance, take sufficient measures to eliminate static electricity.
- 10. Do not use the product in an area where dust, powder dust, water, chemicals, or oil is in the air.**
It will cause failure or malfunction.
- 11. Do not use the product in an area where a magnetic field is generated.**
It will cause failure or malfunction.
- 12. Do not install the product in an environment containing flammable gas, explosive gas, or corrosive gas.**
It could lead to fire, explosion, or corrosion.
- 13. Radiant heat from strong heat sources, such as a furnace, direct sunlight, etc., should not be applied to the product.**
It will cause failure of the driver or its peripheral devices.
- 14. Do not use the product in an environment subject to a temperature cycle.**
It will cause failure of the driver or its peripheral devices.
- 15. Do not use the product in a place where surges are generated.**
When there are units that generate a large amount of surge around the product (e.g. solenoid type lifters, high-frequency induction furnaces, motors, etc.), this may cause deterioration or damage to the product's internal circuit. Avoid sources of surge generation and crossed lines.
- 16. Do not install the product in an environment under the effect of vibrations and impacts.**
It will cause failure or malfunction.
- 17. When a surge-generating load, such as a relay or solenoid valve, is driven directly, use a product that incorporates a surge absorption element.**

Installation

Warning

- 1. Install the driver and its peripheral devices on a fire-proof material.**
Direct installation on or near a flammable material may cause a fire.
- 2. Do not install the product in a place subject to vibrations and impacts.**
It will cause failure or malfunction.
- 3. The driver should be mounted on a vertical wall in a vertical direction. Also, be sure not to cover the driver's suction/exhaust ports.**
- 4. Install the driver and its peripheral devices on a flat surface.**
If the mounting surface is distorted or uneven, an unacceptable force may be added to the housing, etc., causing problems.



LECS□-T/LECY□ Series

Specific Product Precautions 2

Be sure to read this before handling the products. For safety instructions and electric actuators precautions, refer to the “Handling Precautions for SMC Products” and the “Operation Manual” on the SMC website: <https://www.smcworld.com>

Power Supply

⚠ Caution

1. Use a power supply that has low noise between lines and between the power and ground.
In cases where noise is high, an isolation transformer should be used.
2. To prevent lightning surges, appropriate measures should be taken. Ground the surge absorber for lightning separately from the grounding of the driver and its peripheral devices.

Wiring

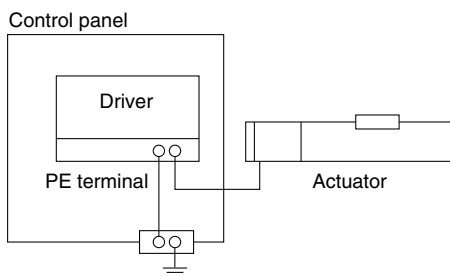
⚠ Warning

1. The driver will be damaged if a commercial power supply (100/200 V) is added to the driver's servo motor power (U, V, and W). Be sure to check wiring for mistakes when the power supply is turned on.
2. Connect the ends of the U, V, and W wires of the motor cable correctly to the phases (U, V, and W) of the servo motor power. If these wires do not match up, the servo motor cannot be controlled.

Grounding

⚠ Warning

1. For grounding the actuator, connect the copper wire of the actuator to the driver's protective earth (PE) terminal and connect the copper wire of the driver to the earth via the control panel's protective earth (PE) terminal. Do not connect them directly to the control panel's protective earth (PE) terminal.



2. In the unlikely event that a malfunction is caused by the ground, please disconnect it.

Maintenance

⚠ Warning

1. Perform a maintenance and inspection periodically.
Confirm wiring and screws are not loose.
Loose screws or wires may cause unintentional malfunction.
2. Conduct an appropriate functional inspection after completing the maintenance and inspection.
At times where the equipment or machinery does not operate properly, conduct an emergency stop of the system. Otherwise, an unexpected malfunction may occur and it will become impossible to ensure safety. Conduct a test of the emergency stop in order to confirm the safety of the equipment.
3. Do not disassemble, modify, or repair the driver and its peripheral devices.
4. Do not put anything conductive or flammable inside the driver.
It may cause a fire.
5. Do not conduct an insulation resistance test or withstand voltage test on this product.
6. Ensure sufficient space for maintenance activities.
Design the system allowing the required space for maintenance and inspection.