

# Booster Regulator

New

## Air consumption

Boosting efficiency has been optimized.

Max. **25%** reduction<sup>\*1</sup>  
(Pressure increase ratio: Twice)

Max. **30%** reduction<sup>\*1</sup>  
(Pressure increase ratio: 4 times)

<sup>\*1</sup> Based on SMC's measuring conditions



Pressure increase ratio: **Twice**



Pressure increase ratio: **4 times**

## Max. flow rate

**10%** increase  
(Pressure increase ratio: Twice)

**30%** increase  
(Pressure increase ratio: 4 times)

## Charging time

Max. **30%** shorter  
(Pressure increase ratio: Twice)

Max. **60%** shorter  
(Pressure increase ratio: 4 times)

\* Inlet pressure: 0.5 MPa, Air tank: 10 L

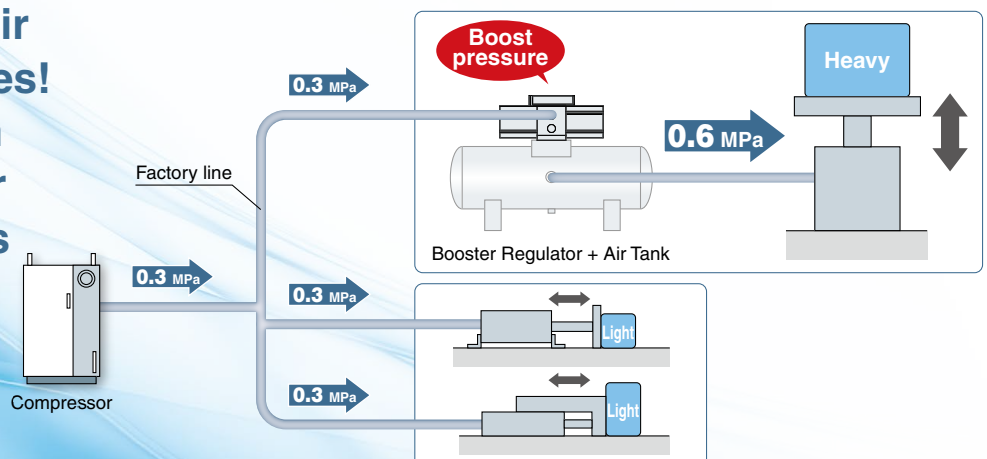
## Improved service life

**50 million cycles or more** (Pressure increase ratio: Twice, 4 times)

Maintenance frequency is reduced due to improved life.

\* Based on SMC's test conditions

Increase factory air pressure by 4 times!  
Air-only operation requires no power supply, and allows easy installation.



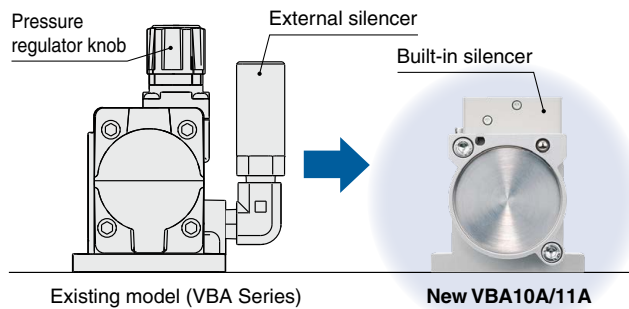
# VBA10A/11A Series



CAT.ES11-116A

## Simple, compact shape

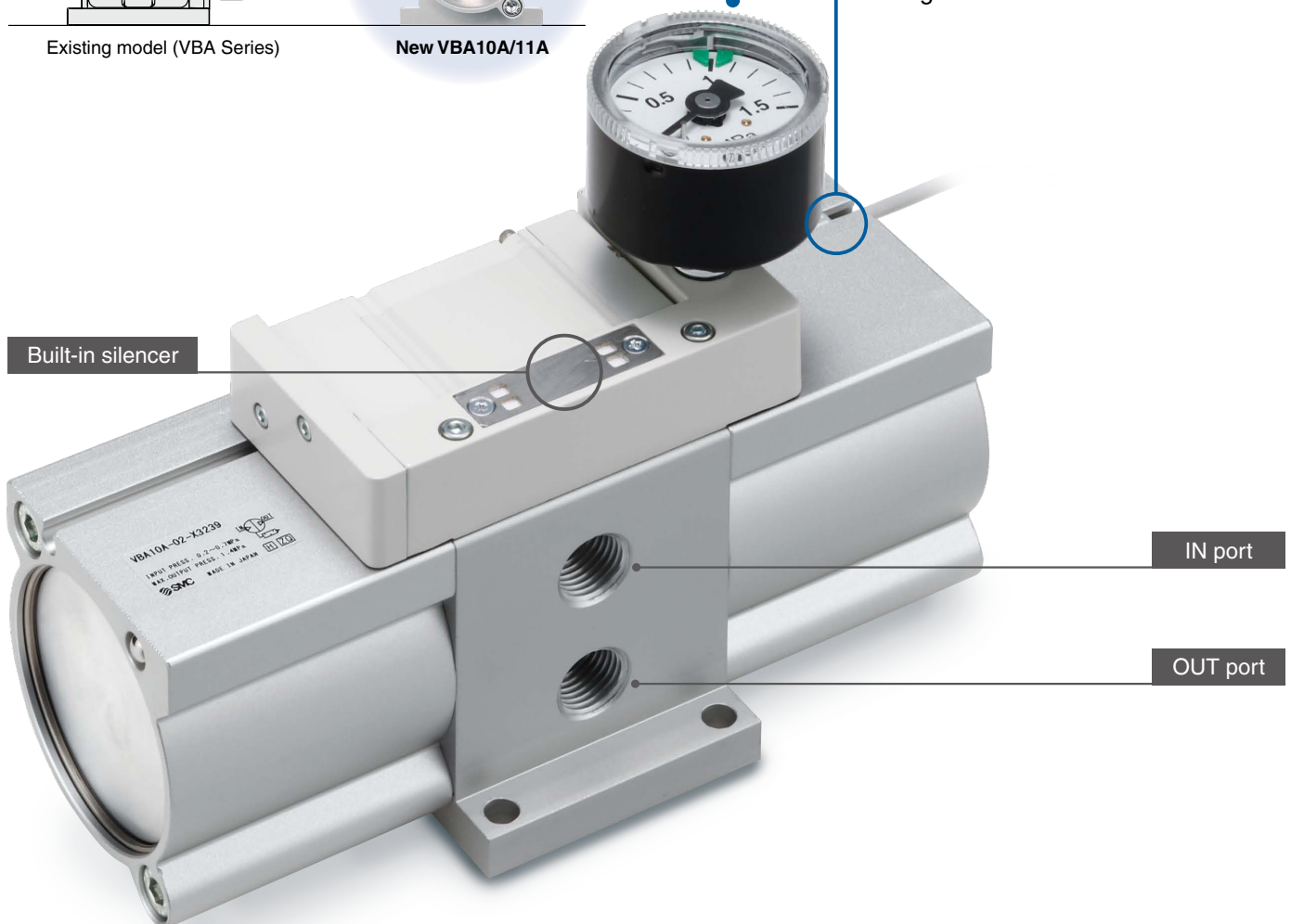
- Built-in silencer
- No longer any need for a pressure regulator knob due to the fixed pressure increase ratio



## Pressure gauge attachable (OUT side)

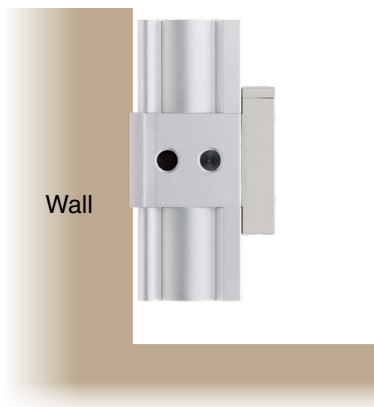
## Auto switch can be attached on the top side.

- Operating cycle count is possible using an auto switch.






## Compatible with vertical installation

- Improved mounting flexibility



## Mounting compatibility with the existing model (VBA series)

## Series Variations

Series	Model	Nominal size	Body size (Port size)	Pressure increase ratio	Max. flow rate [L/min (ANR)]	Set pressure [MPa]	Pressure adjustment mechanism (Operating method)	Installation
 <p><b>New Booster regulator</b></p>	<b>VBA-X3239</b>	10A	1/4	2 times (Fixed)	250	0.4 to 1.4	Fixed type (Without pressure adjustment mechanism)	Horizontal Vertical
		11A		4 times (Fixed)	90	0.8 to 2.0		
 <p><b>Low air consumption booster regulator</b></p>	<b>VBA-X3145</b>	10A	1/4	1.7 times (Fixed)	230	0.3 to 1.2	Fixed type (Without pressure adjustment mechanism)	Horizontal Vertical
 <p><b>Booster regulator</b></p>	<b>VBA</b>	10A	1/4	2 times	230	0.2 to 2.0	Knob-operated with relief mechanism	Horizontal
		20A	3/8		1000	0.2 to 1.0		
		40A	1/2		1900	0.2 to 1.0		
		22A	3/8		1000	0.2 to 1.0	Air-operated	
		42A	1/2		1900	0.2 to 1.0		
		43A	1/2		1600	0.2 to 1.6	Knob-operated with relief mechanism	
		11A	1/4	2 to 4 times	70	0.4 to 2.0		

## CONTENTS

How to Order .....	p. 3	Working Principle .....	p. 7
Standard Specifications .....	p. 3	Circuit Example .....	p. 7
Options/Part Nos. ....	p. 3	Construction/Replacement Parts .....	p. 8
Flow Rate Characteristics, Charge Characteristics, Pulsation ....	p. 4	Dimensions .....	p. 9
Sizing .....	p. 5	Specific Product Precautions .....	p. 10

# Booster Regulator



# VBA10A/11A Series

## How to Order



VBA **10A** - 02    - X3239

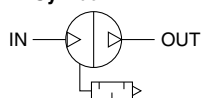
Body size

Option

<b>10A</b>	1/4	Pressure increase ratio: Twice
<b>11A</b>	1/4	Pressure increase ratio: 4 times

Symbol	Option
<b>Nil</b>	None
<b>G</b>	OUT side pressure gauge

Symbol



## Standard Specifications

Model		VBA10A	VBA11A
Fluid		Compressed air	
Pressure increase ratio		2 times (Fixed)	4 times (Fixed)
Max. flow rate*1	L/min (ANR)	250	90
Outlet pressure range	MPa	0.4 to 1.4	0.8 to 2.0
Inlet pressure range	MPa	0.2 to 0.7	0.2 to 0.5
Proof pressure	MPa	2.1	3.0
Port size (IN/OUT: 2 locations)	Rc	1/4	
OUT side gauge port	Rc	1/8	
Tank connection port (with plug)*2		1/4	
Ambient and fluid temperatures	°C	2 to 50 (No freezing)	
Installation		Horizontal, Vertical	
Lubrication		Grease (Non-lube)	
Weight	kg	0.95	1.6

\*1 Flow rate at IN = OUT = 0.5 MPa. The pressure varies depending on the operating conditions. Refer to "Flow Rate Characteristics" on page 4.

\*2 The tank connection port cannot be used for applications other than the connection with VBAT.

## Options/Part Nos.

**Pressure Gauge**/For details on pressure gauge, refer to the **Web Catalog**.

Model	VBA10A	VBA11A
Pressure gauge	G36-15-01	G46-20-01

**Applicable Auto Switches**/Refer to the **Web Catalog** for further information on auto switches.

Auto switch model	Electrical entry	Indicator light	Wiring (Output)	Load voltage		Applicable load	
				24 V	DC		
<b>D-M9N</b>	Grommet	Yes	3-wire (NPN)		5 V, 12 V	IC circuit	Relay, PLC
<b>D-M9P</b>			3-wire (PNP)				
<b>D-M9B</b>			2-wire	12 V	—		

\* Applicable auto switches can be ordered separately from the table shown above.

\* Lead wire length symbols: 0.5 m ..... Nil (Example) D-M9N  
 1 m ..... M (Example) D-M9NM  
 3 m ..... L (Example) D-M9NL  
 5 m ..... Z (Example) D-M9NZ

Operate so that the flow rate follows the solid line even when the outlet side air has been consumed.

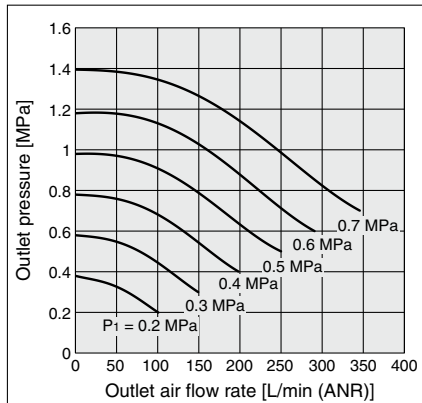
Ex.) For the VBA10A: When the inlet pressure is 0.5 MPa and the set pressure is 0.8 MPa, operate at an outlet air flow rate of 140 L/min (ANR) or less.

**P<sub>1</sub>**: Inlet pressure

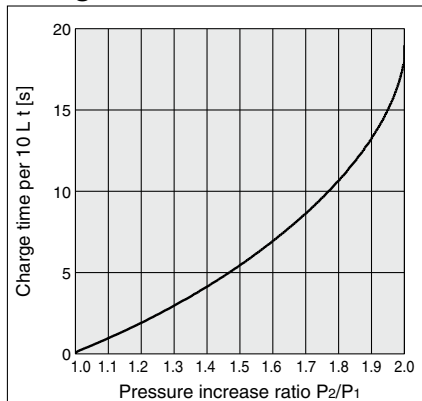
**P<sub>2</sub>**: Outlet pressure

## VBA10A

### Flow Rate Characteristics



### Charge Characteristics



#### VBA10A

- The time required to charge pressure in the tank from 0.6 MPa to 0.8 MPa at 0.5 MPa supply pressure:

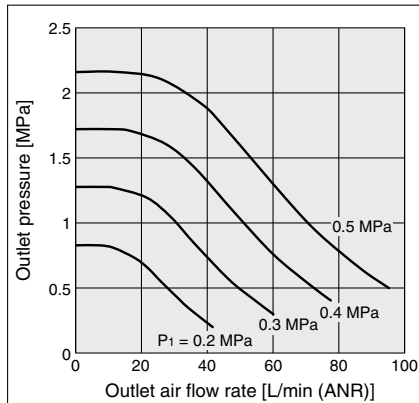
$$\frac{P_2}{P_1} = \frac{0.6}{0.5} = 1.2 \quad \frac{P_2}{P_1} = \frac{0.8}{0.5} = 1.6$$

With the pressure increase ratio from 1.2 to 1.6, the charge time of 7 - 2 = 5 s (t) is given by the graph. Then, the charge time (T) for a 10 L tank:

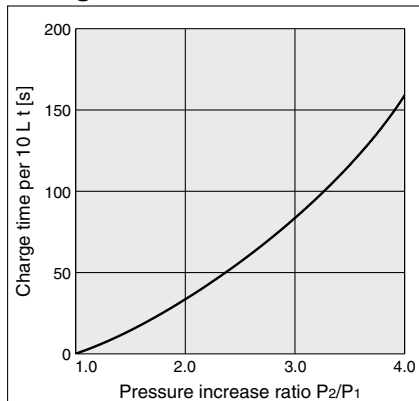
$$T = t \times \frac{V}{10} = 5 \times \frac{10}{10} = 5 \text{ (s)}$$

## VBA11A

### Flow Rate Characteristics



### Charge Characteristics



#### VBA11A

- The time required to charge pressure in the tank from 1.0 MPa to 1.5 MPa at 0.5 MPa supply pressure:

$$\frac{P_2}{P_1} = \frac{1.0}{0.5} = 2.0 \quad \frac{P_2}{P_1} = \frac{1.5}{0.5} = 3.0$$

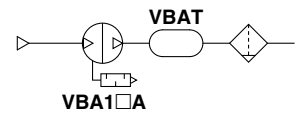
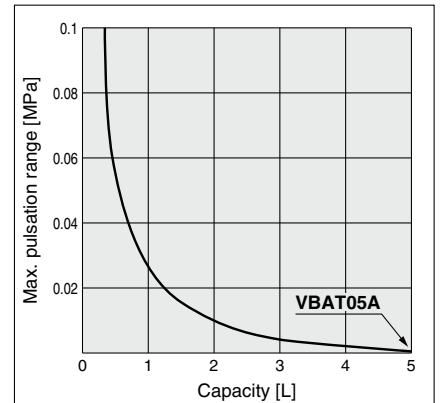
With the pressure increase ratio from 2 to 3, the charge time of 84 - 34 = 50 s (t) is given by the graph. Then, the charge time (T) for a 10 L tank:

$$T = t \times \frac{V}{10} = 50 \times \frac{10}{10} = 50 \text{ (s)}$$

## Pulsation/Pulsation is decreased with a tank.

If the outlet capacity is undersized, pulsation may occur.

### VBAT05A



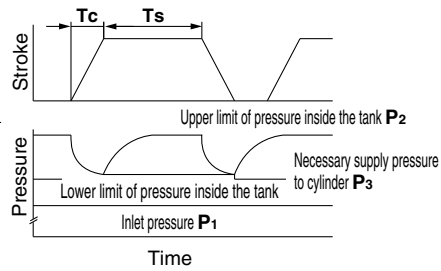
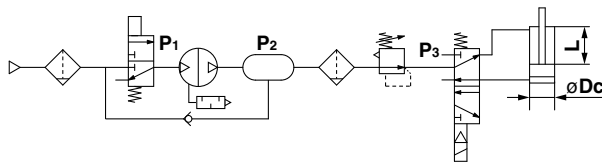
VBA1□A

Conditions: Inlet pressure: 0.5 MPa  
Outlet pressure: 1.0 MPa  
Flow rate: Between 0 and max. flow rate

- Performance of air tank
  - Alleviates the pulsation generated on the outlet side.
  - When air consumption exceeds air supply during intermittent operation, required air will be accumulated in the tank for use. This does not apply for continuous operation.

# VBA10A/11A Series

**Sizing** (Please use the Booster Regulator Model Selection Software on the SMC website:  
<https://mssc.smcworld.com/brmss/>)



**START**

Provide requisite conditions for selection.

**Necessary conditions:**

- Dc** [mm]: Cylinder bore size
- Lc** [mm]: Cylinder stroke
- N** [pc.]: Number of cylinders
- Tc** [s]: Cylinder operating time
- Dt** [mm]: Piping bore (Valve-Cylinder)
- Lt** [mm]: Piping length (Valve-Cylinder)
- C** [cpm]: Operating frequency
- P1** [MPa]: Booster regulator inlet pressure
- P3** [MPa]: Necessary supply pressure to cylinder
- P2** [MPa]: Booster regulator outlet pressure (Set pressure)

- \* **P3** is the necessary supply pressure to a cylinder, and set the pressure below the lower limit of pressure inside the tank with a regulator. Adjust the pressure taking the maximum operating pressure of equipment in use into consideration.
- \* **P2** is the output pressure of the booster regulator, which is also the upper limit of charge pressure to the tank.

**Other conditions:**

- QAVE** [L/min]: Average air flow rate
- QMAX** [L/min]: Maximum instantaneous air flow rate
- K**: Cylinder double-acting: 2, single-acting: 1
- T1** [s]: Time to charge (Time to charge to **P3**)
- T2** [s]: Time to charge (Time to charge to **P2**)
- T** [s]: Time to charge (Time to charge from **P3** to **P2**)

Obtain the capacity (V).

Obtain the piping volume from the valve to the actuator and the volume of the actuator to obtain the air flow rate from the outlet side of the booster regulator.

Cylinder volume

$$V_{CYL} [L] = \frac{\pi \times Dc^2 \times Lc}{4 \times 10^6} \times \frac{P3 + 0.101}{0.101} \times N$$

Piping capacity

$$V_{TUBE} [L] = \frac{\pi \times Dt^2 \times Lt}{4 \times 10^6} \times \frac{P3}{0.101} \times N$$

Calculate air flow rate (Q).

Obtain the average air flow rate **QAVE** to select the size of the booster regulator.

Average air flow rate

$$Q_{AVE} [L/min (ANR)] = (V_{CYL} + V_{TUBE}) \times \frac{C}{(Reciprocation)}$$

Obtain the maximum instantaneous air flow rate **QMAX** to check the necessity of an air tank.

Maximum instantaneous air flow rate

$$Q_{MAX} [L/min (ANR)] = \frac{(V_{CYL} + V_{TUBE})}{Tc} \times 60$$

Select the booster regulator and check the necessity of an air tank.

Select the booster regulator from the average air flow rate **QAVE** and check the necessity of an air tank from the maximum instantaneous air flow rate **QMAX**.

**It can be used** when the outlet air flow rate of the intersecting point between the booster regulator inlet pressure (**P1**) and necessary supply pressure to cylinder (**P3**) on the catalog flow characteristic table (p. 4) is equal to the average air flow rate **QAVE** or higher.

**An air tank is required** when the outlet air flow rate is less than the maximum instantaneous air flow rate **QMAX**.

**An air tank is not required** when the outlet air flow rate is at the maximum instantaneous air flow rate **QMAX** or higher.

Selection example	
<b>Dc</b> [mm]: 50	<b>Lt</b> [mm]: 500
<b>Lc</b> [mm]: 100	<b>C</b> [cpm]: 6
<b>N</b> [pc.]: 1	<b>P1</b> [MPa]: 0.5
<b>Tc</b> [s]: 0.5	<b>P3</b> [MPa]: 0.8
<b>Dt</b> [mm]: 4	<b>P2</b> [MPa]: 1.0

$$V_{CYL} [L] = \frac{\pi \times 50^2 \times 100}{4 \times 10^6} \times \frac{0.8 + 0.101}{0.101} \times 1 = 1.75 [L]$$

$$V_{TUBE} [L] = \frac{\pi \times 4^2 \times 500}{4 \times 10^6} \times \frac{0.8}{0.101} \times 1 = 0.05 [L]$$

$$Q_{AVE} [L/min (ANR)] = (1.75 + 0.05) \times 2 \times 6 = 21.6 [L/min (ANR)]$$

$$Q_{MAX} [L/min (ANR)] = \frac{(1.75 + 0.05)}{0.5} \times 60 = 216 [L/min (ANR)]$$

## ⚠ Caution

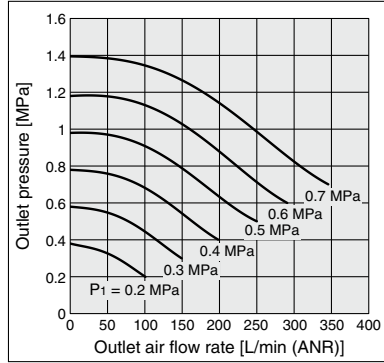
- Since the booster regulator is a compressor powered by the air, it consumes the air. The air consumption is approximately 0.9 times (VBA10A) or 3 times (VBA11A) larger than the outlet side volume. Therefore, the booster regulator requires a supply capacity of the inlet side volume that is approximately 1.9 times (VBA10A) or 4 times (VBA11A) larger than the outlet side volume.

**Selection example**

$P_1$ : 0.5 [MPa],  $P_2$ : 0.8 [MPa] → **Outlet air flow rate**  
**VBA10A: 140 [L/min]**  
 Average air flow rate  $Q_{AVE}$ : 21.6 [L/min]  
 Maximum instantaneous air flow rate  $Q_{MAX}$ : 216 [L/min]

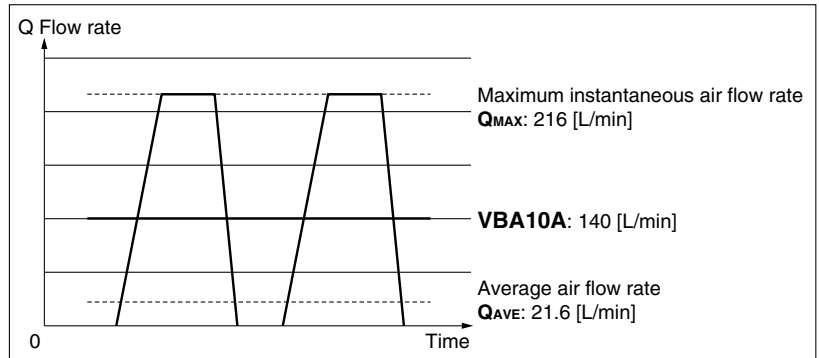
**VBA10A**

**Flow Rate Characteristics**



**Results**

The outlet air flow rate of **VBA10A** is equal to the average air flow rate  $Q_{AVE}$  or higher but it is less than the maximum instantaneous air flow rate  $Q_{MAX}$ . Therefore, it can be used but an air tank is required.



**Booster regulator selection and air tank necessity confirmation results**

**Obtain the air tank capacity.**

Obtain the air tank capacity.

$$V [L] = \frac{Q_{MAX}}{(P_2 - P_3) \times 9.9} \times \frac{T_c}{60} \times K$$

**Check the air tank charge characteristics.**

Obtain the time  $T$  from the catalog charge characteristics table (p. 4) and check that it satisfies the operating frequency.

$$T = \left(\frac{V}{10}\right) \times (T_2 - T_1) \leq \frac{60}{C}$$

**Application example**

$$T = \left(\frac{1.8}{10}\right) \times (18 - 7) = 2 \leq \frac{60}{6}$$

A tank smaller than the calculation results may satisfy the requirement since this size selection calculation provides calculation which is on the safe side. This does not consider air flowing from the booster regulator.

Please use the booster regulator model selection software on the SMC website.

**Application example**

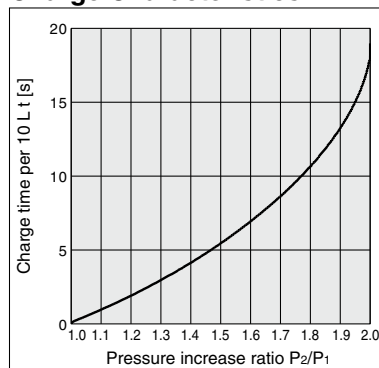
Required air tank volume for **VBA10A**

$$V [L] = \frac{216}{(1 - 0.8) \times 9.9} \times \frac{0.5}{60} \times 2 = 1.8 [L]$$

\* Air tank of 1.8 L or more is required.

**VBA10A**

**Charge Characteristics**

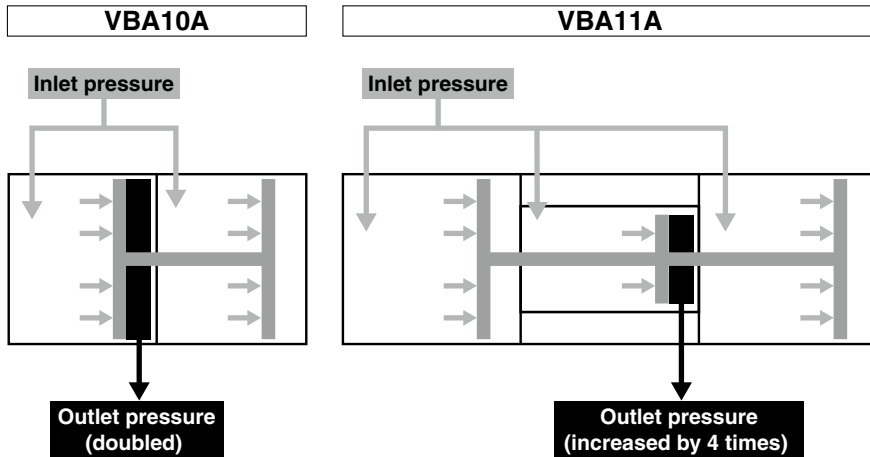


**END**

When running continuously for longer periods of time, confirm the life expectancy.  
 When the life expectancy is shorter than required, select a larger sized booster regulator.

# VBA10A/11A Series

## Working Principle



The VBA10A has two pistons and four chambers.

The inlet pressure enters two chambers as shown in the figure and pushes the pistons in the arrow direction and outputs compressed air as outlet pressure.

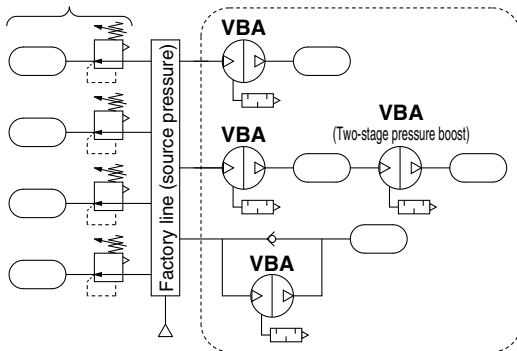
The VBA11A has three pistons and six chambers.

The inlet pressure enters three chambers as shown in the figure and pushes the pistons in the arrow direction and outputs compressed air as outlet pressure.

## Circuit Example

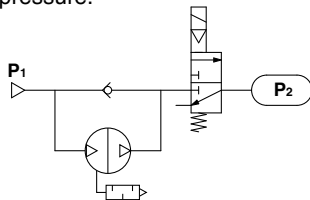
- When only some of the machines in the factory require high-pressure air, booster regulators can be installed for only the equipment that requires it. This allows the overall system to use low-pressure air while accommodating machines requiring high-pressure air.

General line (low pressure)      Locations requiring high pressure

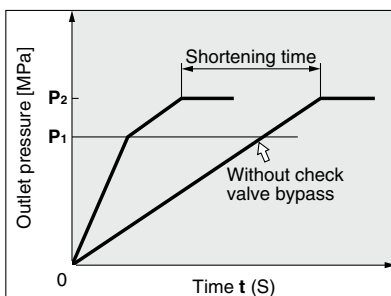


\* When using two booster regulators for 2-stage pressure boost, be sure to supply sufficient flow to each booster regulator in order to stabilize the booster regulator inlet pressure. Refer to Selection 2. on page 10 for the inlet side supply amount.

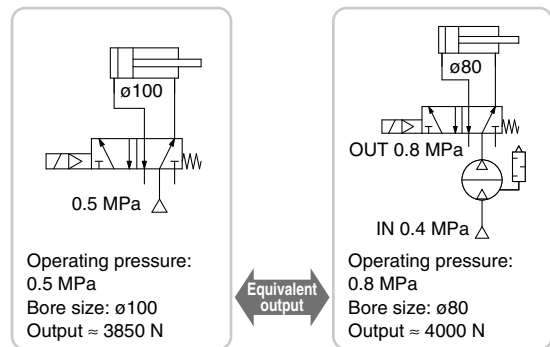
- When charging a tank or the like from a source at atmospheric pressure, a circuit with a check valve can be used to reduce the charge time by allowing air to pass through the check valve up to the inlet pressure.



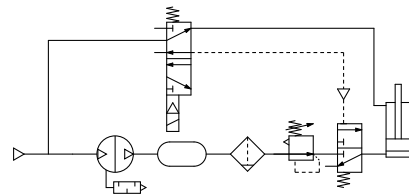
Initially, inlet pressure ( $P_1$ ) passes through the check valve, fills  $P_2$ , and results in  $P_1 = P_2$ .



- When the actuator output is insufficient but space limitations prohibit switching to a larger cylinder diameter, a booster regulator can be used to increase the pressure. This makes it possible to boost the output without replacing the actuator.
- When a certain level of output is required but the cylinder size must be kept small so that the driver remains compact.



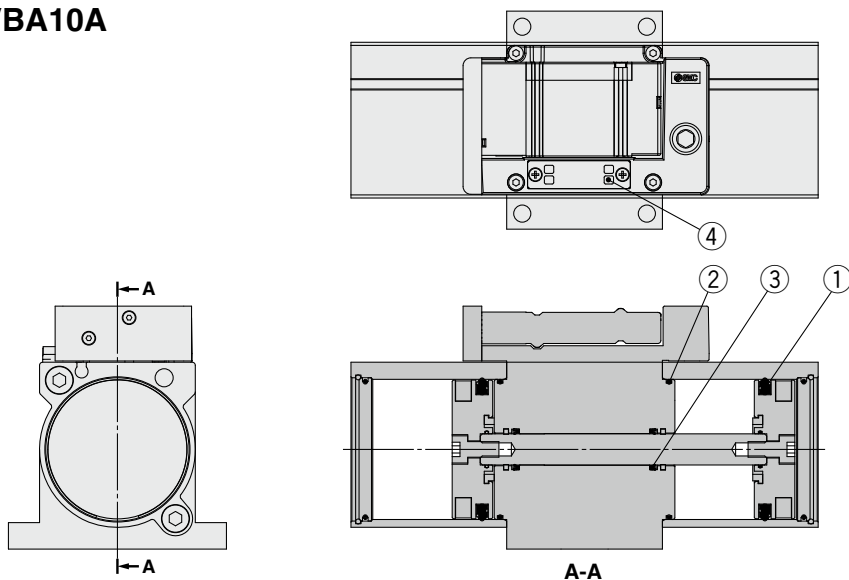
- When only one side of the cylinder is used for work, booster regulators can be installed only on the lines that require them to reduce the overall air consumption volume.



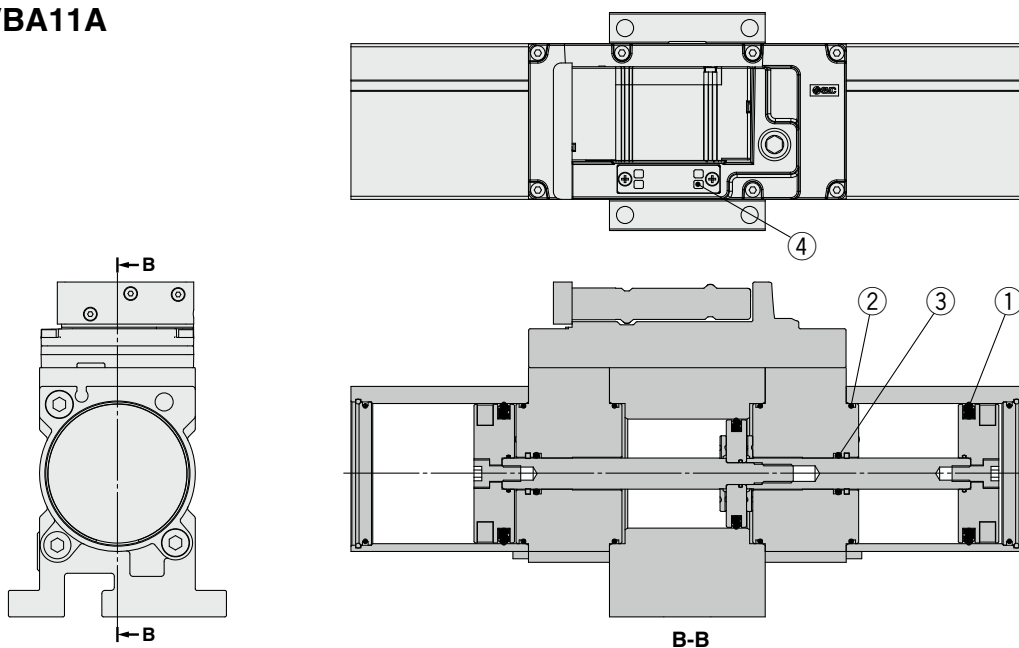


## Construction/Replacement Parts

### VBA10A



### VBA11A



### Replacement Parts/Kit No.

Place an order with the following applicable kit number.

Model	VBA10A	VBA11A
Kit no.	KT-VBA10A-X3239-1	KT-VBA11A-X3239-1

The kit includes the following parts and a grease pack.

No.	Description	Model	Quantity	
			VBA10A	VBA11A
1	Piston seal		2	2 large 1 small
2	Tube gasket		2	4
3	Rod seal		2	
4	Silencer		2	
—	Check valve assembly		4	
—	Pilot valve assembly		2	
—	O-ring		2	6
—	Grease pack		1	

\* The grease pack has 10 g of grease.

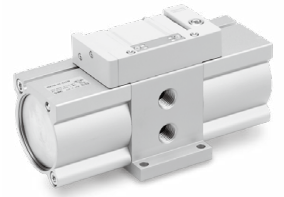
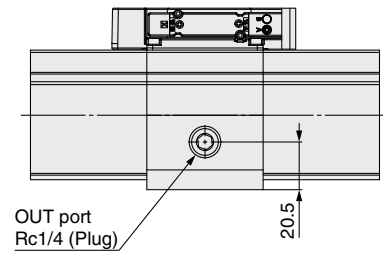
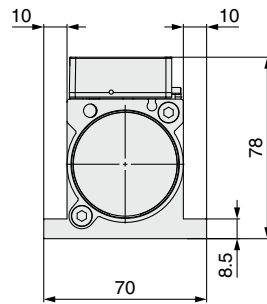
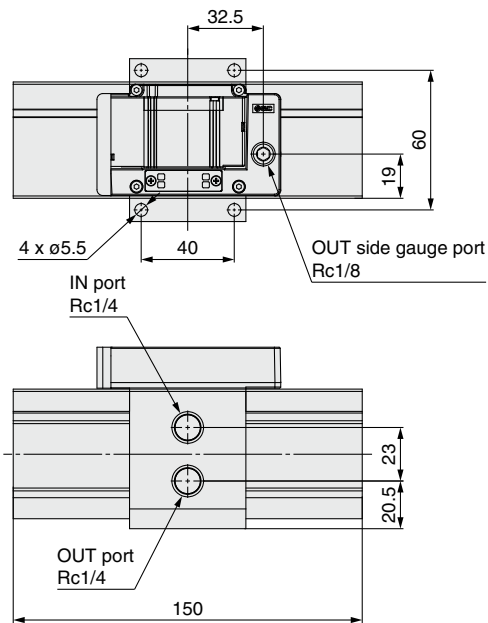
\* Make sure to refer to the procedure for maintenance.

\* For details on the replacement parts kit, refer to the procedure for maintenance.

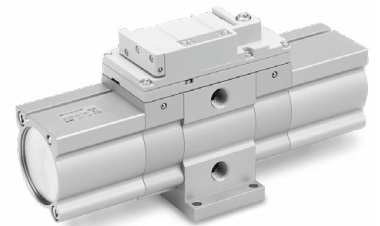
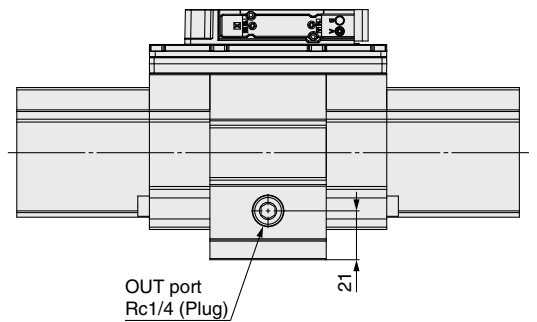
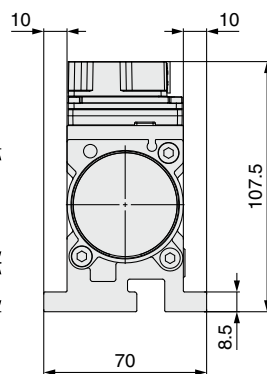
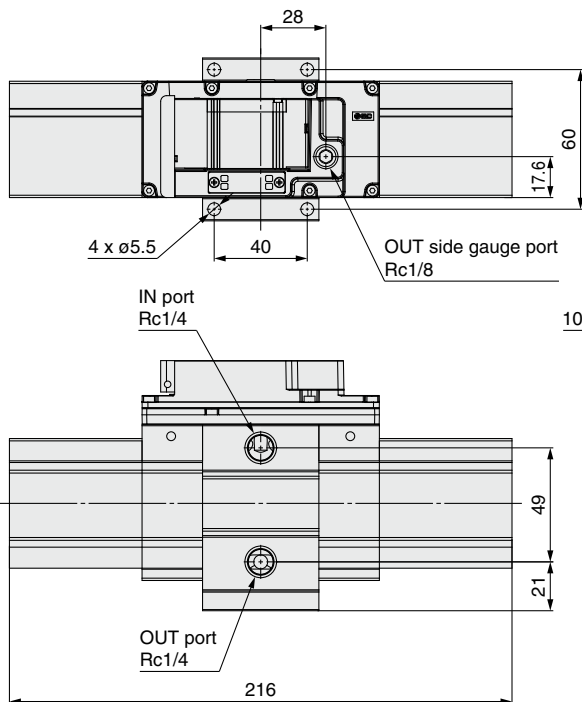
# VBA10A/11A Series

## Dimensions

### VBA10A



### VBA11A





# VBA10A/11A Series Specific Product Precautions 1

Be sure to read this before handling the products.  
Refer to the back cover for safety instructions.

## Design

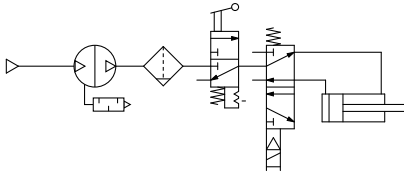
### Warning

#### 1. Warning concerning abnormal outlet pressure

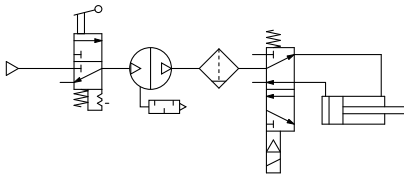
- If there is a likelihood of causing an outlet pressure drop due to unforeseen circumstances such as equipment malfunction, thus leading to a major problem, take safety measures on the system side.
- Because the outlet pressure could exceed its set range if there is a large fluctuation in the inlet pressure, leading to unexpected accidents, take safety measures against abnormal pressures.
- Use within the outlet pressure range.

#### 2. Residual pressure measures

- Connect a 3-port valve to the OUT side of the booster regulator if the residual pressure must be released quickly from the outlet pressure side for maintenance, etc. (Refer to the diagram below.) The residual outlet pressure side cannot be released even if the 3-port valve is connected to the IN side because the check valve in the booster regulator will activate.



- Discharge the inlet charge pressure after the operation. It stops the operation of the booster regulator and prevents unnecessary air consumption.



## Design

### Caution

#### 1. System configuration

- Ensure sufficient air charge capability of the minimum operating pressure (0.2 MPa) or more. The switching valve may not operate when the internal operating pressure is equal to the minimum operating pressure or less.
- The booster regulator has a sliding part inside, and it generates dust. Also, install an air purification device such as an air filter or a mist separator on the outlet side as necessary.
- Connect a lubricator to the outlet side, because the accumulated oil in the booster regulator may result in a malfunction.
- Pay attention to the maximum operating pressure range and operate within these specifications of peripheral equipment.

#### 2. Maintenance space

- Allow the sufficient space for maintenance and inspection.

#### 3. Counting the operating cycle

- When counting the operating cycles using an auto switch, use an instrument with a counting speed of 1 kHz or more.

## Selection

### Caution

#### 1. Check the specifications.

- Consider the operating conditions and operate this product within the specification range that is described in this catalog.

#### 2. Selection

- Based on the conditions (such as pressure, flow rate, and cycle time) required for the outlet side of the booster regulator, check the selection procedures described in this catalog or model selection software for size selection of the booster regulator. Model selection can be done using the selection software on the SMC website. Go to Documents/Downloads → Model Selection Software → Booster Regulators
- Since the booster regulator is a compressor powered by the air, it consumes the air. The air consumption is approximately 0.9 times (VBA10A) or 3 times (VBA11A) larger than the outlet side volume. Therefore, the booster regulator requires a supply capacity of the inlet side volume that is approximately 1.9 times (VBA10A) or 4 times (VBA11A) larger than the outlet side volume.
- When operating the booster regulator continuously for longer periods of time, particularly confirm its service life.
- The service life of the booster regulator depends on not the operation hours but the operating cycles (piston sliding distance). The operating cycles (piston sliding distance) depend on the outlet air flow rate of the booster regulator. Thus, when more outlet air flow rate of the booster regulator is used, its service life becomes shorter. Selecting a booster regulator of a larger size will result in reduced operation frequency, thus increasing the service life of the product.
- When using two booster regulators for 2-stage pressure boost, be sure to provide a stable supply of pressure to the downstream booster regulator, and install a pressure vessel such as an air tank, etc., between the booster regulators. (Refer to the circuit diagram shown on page 7.)



# VBA10A/11A Series

## Specific Product Precautions 2

Be sure to read this before handling the products.  
Refer to the back cover for safety instructions.

### Mounting

#### Caution

##### 1. Transporting

- When transporting this product, hold it lengthwise with both hands.

##### 2. Installation

- Because the piston cycle vibration is transferred, use the following mounting bolts (VBA1: M5) and tighten them with the specified torque (VBA1: 3 N·m).
- If the transmission of vibration is not preferred, insert an isolating rubber material before installation.
- Mount the pressure gauge with a torque of 7 to 9 N·m.

### Piping

#### Caution

##### 1. Flushing

- Use an air blower to flush the piping to thoroughly remove any cutting chips, cutting oil, or debris from the piping inside, before connecting them. If they enter the inside of the booster regulator, they could cause the booster regulator to malfunction or its durability could be affected.

##### 2. Piping size

- To bring the booster regulator's ability into full play, make sure to match the piping size to the port size.

### Air Supply

#### Caution

##### 1. Quality of air source

- Install an air filter on the upstream side of the booster regulator. Select an air filter with a filtration degree of 5 μm or finer.
- If dry air (atmospheric pressure dew point: -23°C or less) is used, the life expectancy may be shortened because dry air will accelerate evaporation of grease inside.

##### 2. Pressure fluctuation

- Provide a stable supply of pressure for the inlet pressure.

### Operating Environment

#### Caution

##### 1. Installation location

- Do not install this product in an area that is exposed to rainwater or direct sunlight.
- Do not install in locations influenced by vibrations. If it must be used in such an area due to unavoidable circumstances, please contact SMC beforehand.

### Handling

#### Caution

##### 1. Draining

- If this product is used with a large amount of drainage accumulated in the filter or tank, the drainage could flow out, leading to equipment malfunction. Therefore, drain the system once a day. If it is equipped with an auto drain, check its operation once a day.

##### 2. Maintenance

###### Booster regulator

- Life expectancy varies depending on the quality of air and the operating conditions.

Signs that the unit is reaching the end of its service life include the following:

- Air exhaust noise can be heard from the booster regulator at 10 to 20 second intervals even when there is no air consumption on the outlet side.

Conduct maintenance earlier than scheduled in such cases.


- Conduct maintenance according to the specified maintenance procedure by individuals possessing enough knowledge and experiences in maintaining pneumatic equipment.


###### Silencer


Discoloration or deterioration may occur due to turbine oil, grease and drainage in exhaust air and operating atmosphere. Please perform regular maintenance.

## Safety Instructions

These safety instructions are intended to prevent hazardous situations and/or equipment damage. These instructions indicate the level of potential hazard with the labels of “**Caution**,” “**Warning**” or “**Danger**.” They are all important notes for safety and must be followed in addition to International Standards (ISO/IEC)\*1), and other safety regulations.

 **Caution:** **Caution** indicates a hazard with a low level of risk which, if not avoided, could result in minor or moderate injury.

 **Warning:** **Warning** indicates a hazard with a medium level of risk which, if not avoided, could result in death or serious injury.

 **Danger :** **Danger** indicates a hazard with a high level of risk which, if not avoided, will result in death or serious injury.

\*1) ISO 4414: Pneumatic fluid power – General rules relating to systems.  
ISO 4413: Hydraulic fluid power – General rules relating to systems.  
IEC 60204-1: Safety of machinery – Electrical equipment of machines.  
(Part 1: General requirements)  
ISO 10218-1: Manipulating industrial robots – Safety.  
etc.

### Warning

#### 1. The compatibility of the product is the responsibility of the person who designs the equipment or decides its specifications.

Since the product specified here is used under various operating conditions, its compatibility with specific equipment must be decided by the person who designs the equipment or decides its specifications based on necessary analysis and test results. The expected performance and safety assurance of the equipment will be the responsibility of the person who has determined its compatibility with the product. This person should also continuously review all specifications of the product referring to its latest catalog information, with a view to giving due consideration to any possibility of equipment failure when configuring the equipment.

#### 2. Only personnel with appropriate training should operate machinery and equipment.

The product specified here may become unsafe if handled incorrectly. The assembly, operation and maintenance of machines or equipment including our products must be performed by an operator who is appropriately trained and experienced.

#### 3. Do not service or attempt to remove product and machinery/equipment until safety is confirmed.

1. The inspection and maintenance of machinery/equipment should only be performed after measures to prevent falling or runaway of the driven objects have been confirmed.
2. When the product is to be removed, confirm that the safety measures as mentioned above are implemented and the power from any appropriate source is cut, and read and understand the specific product precautions of all relevant products carefully.
3. Before machinery/equipment is restarted, take measures to prevent unexpected operation and malfunction.

#### 4. Contact SMC beforehand and take special consideration of safety measures if the product is to be used in any of the following conditions.

1. Conditions and environments outside of the given specifications, or use outdoors or in a place exposed to direct sunlight.
2. Installation on equipment in conjunction with atomic energy, railways, air navigation, space, shipping, vehicles, military, medical treatment, combustion and recreation, or equipment in contact with food and beverages, emergency stop circuits, clutch and brake circuits in press applications, safety equipment or other applications unsuitable for the standard specifications described in the product catalog.
3. An application which could have negative effects on people, property, or animals requiring special safety analysis.
4. Use in an interlock circuit, which requires the provision of double interlock for possible failure by using a mechanical protective function, and periodical checks to confirm proper operation.

### Caution

#### 1. The product is provided for use in manufacturing industries.

The product herein described is basically provided for peaceful use in manufacturing industries.  
If considering using the product in other industries, consult SMC beforehand and exchange specifications or a contract if necessary.  
If anything is unclear, contact your nearest sales branch.

### Limited warranty and Disclaimer/ Compliance Requirements

The product used is subject to the following “Limited warranty and Disclaimer” and “Compliance Requirements”.

Read and accept them before using the product.

#### Limited warranty and Disclaimer

1. The warranty period of the product is 1 year in service or 1.5 years after the product is delivered, whichever is first.\*2)  
Also, the product may have specified durability, running distance or replacement parts. Please consult your nearest sales branch.
2. For any failure or damage reported within the warranty period which is clearly our responsibility, a replacement product or necessary parts will be provided.  
This limited warranty applies only to our product independently, and not to any other damage incurred due to the failure of the product.
3. Prior to using SMC products, please read and understand the warranty terms and disclaimers noted in the specified catalog for the particular products.

##### \*2) Vacuum pads are excluded from this 1 year warranty.

A vacuum pad is a consumable part, so it is warranted for a year after it is delivered.  
Also, even within the warranty period, the wear of a product due to the use of the vacuum pad or failure due to the deterioration of rubber material are not covered by the limited warranty.

#### Compliance Requirements

1. The use of SMC products with production equipment for the manufacture of weapons of mass destruction (WMD) or any other weapon is strictly prohibited.
2. The exports of SMC products or technology from one country to another are governed by the relevant security laws and regulations of the countries involved in the transaction. Prior to the shipment of a SMC product to another country, assure that all local rules governing that export are known and followed.

### Caution

#### SMC products are not intended for use as instruments for legal metrology.

Measurement instruments that SMC manufactures or sells have not been qualified by type approval tests relevant to the metrology (measurement) laws of each country. Therefore, SMC products cannot be used for business or certification ordained by the metrology (measurement) laws of each country.

## Safety Instructions

Be sure to read the “Handling Precautions for SMC Products” (M-E03-3) and “Operation Manual” before use.