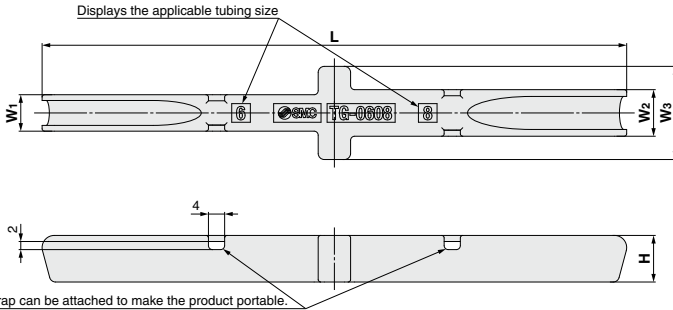
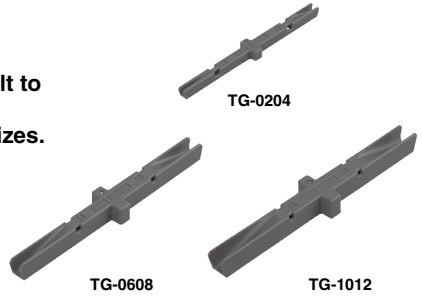


Related Products: Tube Releasing Tool TG-0204/-0608/-1012 Series

- Suitable for use in small spaces where it is difficult to get your hands in.
- One tool is compatible with two different tubing sizes.
- Applicable tubing size: $\varnothing 2$, $\varnothing 4$, $\varnothing 6$, $\varnothing 8$, $\varnothing 10$, $\varnothing 12$

Model	Applicable tubing size	Color	Weight [g]
TG-0204	$\varnothing 2$, $\varnothing 4$	Blue	4
TG-0608	$\varnothing 6$, $\varnothing 8$		11
TG-1012	$\varnothing 10$, $\varnothing 12$		26

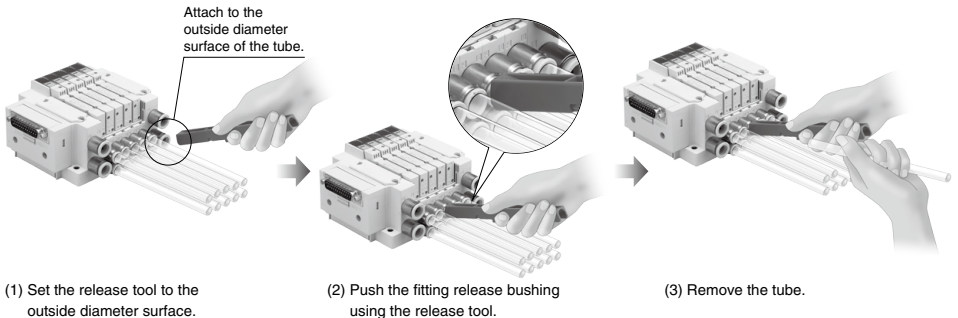


Model	L	W1	W2	W3	H
TG-0204	102.6	5.5	6.5	13	6.5
TG-0608	144.3	9	11.5	23	11.5
TG-1012	186.7	13.6	15.95	31.9	15.95

* The product does not come with a strap.

How to Use

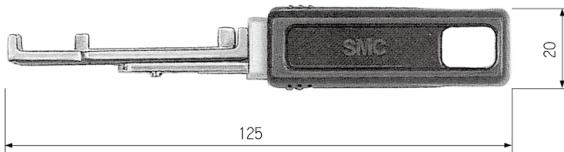
Tube removal procedure



Related Products: Tube Releasing Tool **TG-1/-2 Series**

RoHS

- It is possible to detach the tube from the one-touch fitting **one-handed**.
- Suitable for use in small spaces where it is difficult to get your hands in.
- One tool is compatible with two different tubing sizes. (Refer to "Size change" below.)
- Applicable tubing size: $\varnothing 4$, $\varnothing 6$, $\varnothing 1/8$ ", $\varnothing 1/4$ "



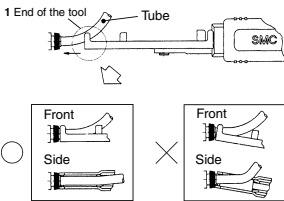
Model	Applicable tubing size		Applicable tubing material	Color	Weight
TG-1	Metric size	$\varnothing 4$, $\varnothing 6$	Nylon, Soft nylon	Blue	
TG-2	Inch size	$\varnothing 1/8$ ", $\varnothing 1/4$ "	Polyurethane	Red	

How to Use

⚠ Caution

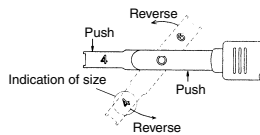
Process

1. Tool edge should be pushed straightforward into the edge of the release button along with the tube in the axial fitting direction.



Size change

- Push both sides at once to release. Reverse and fix at the same position as before. Applicable tube size is indicated on the back side.



2. After inserting, grasp the handle tightly and insert the end of the tubing to the stroke end.

[Note] Insert firmly to the guard against an accidental tube release.

3. After inserting end of tube, relax your grip on the tool. Returning force of spring releases the tube.

