

Large Flow Lubricator

AL800/900 Series

Individual lubrication Large flow type



AL800



AL900

Symbol



Standard Specifications

Model	AL800	AL900
Port size	1 1/4 1 1/2	2
Fluid	Air	
Proof pressure	1.5 MPa	
Max. operating pressure	1.0 MPa	
Min. operating flow (L/min (ANR)) ^(Note)	1 1/4 : 460 1 1/2 : 650	1800
Bowl capacity (cm ³)	380 (Capacity between levels 350)	
Recommended lubricant	Turbine oil Class 1 (With no additives), ISO VG32	
Ambient and fluid temperature	-5 to 60°C (No freezing)	
Bowl material	Polycarbonate	
Weight (kg)	1.56	1.78
Accessory (Standard)	Bowl guard	●

(Note) • Conditions: Inlet pressure = 0.5 MPa, Number of drop = 5 drops/min, Turbine oil Class 1 (with no additives) ISO VG32, Temperature = 20°C, Needle fully open
• Use consumption air flow for operating minimum flow.

How to Order

AL 80 0 - 12 - 23 - R

- Lubricator**: AL
- Body size**: 80 (1 1/2), 90 (2)
- Port size**: 12 (1 1/4), 14 (1 1/2), 20 (2)
- Thread type**: Nil, Rc, N, NPT, F, G
- Semi-standard**: 23 (Metal bowl), 3 (With drain cock), 6 (Nylon bowl), 8 (Metal bowl with level gauge)
- Flow direction**: R (Right → Left)

• When specifying more than one option, please list alphabetically. (Example) 23-R

Semi-standard Combinations

⊙ Available □ Not available

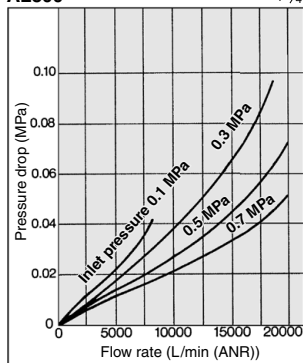
Accessory, Semi-standard	Symbol	Option							
		1	1S-1	1S-2	2	3	6	8	R
1000 cm ³ tank	-1	⊙							⊙
1000 cm ³ (With switch) Bottom limit ON	-1S-1								⊙
1000 cm ³ (With switch) Bottom limit OFF	-1S-2								⊙
Metal bowl	-2					⊙			⊙
Lubricator with drain cock	-3				⊙		⊙	⊙	⊙
Nylon bowl	-6					⊙			⊙
Metal bowl with level gauge	-8								⊙
Flow direction: Right to left	-R	⊙	⊙	⊙	⊙	⊙	⊙	⊙	⊙

(Note) -1, -1S-1 and -1S-2 are with metal bowl with level gauge and with drain cock.

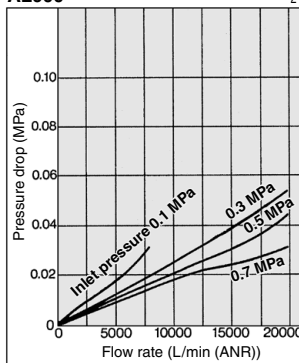
AL800/900 Series

Flow Rate Characteristics (Representative Value)

AL800 1 1/4

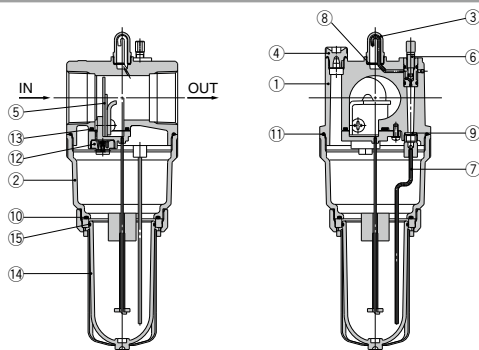


AL900 2



Construction

AL800/900



Component Parts

No.	Description	Material		Note
		AL800	AL900	
1	Body	Aluminum die-casted	Aluminum casted	Platinum silver painted
2	Housing	Aluminum die-casted		Platinum silver painted

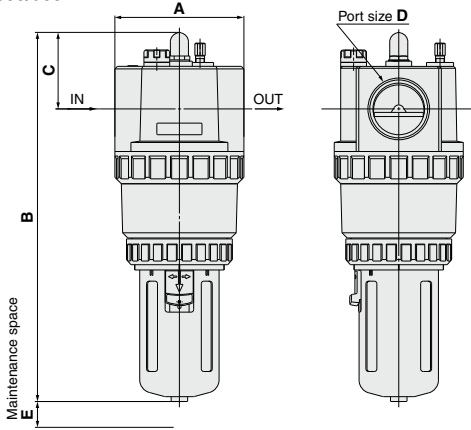
Replacement Parts

No.	Description	Material	Part no.		Qty.		
			AL800	AL900			
3	Sight dome	Standard	Polycarbonate	12316	12316	1	
		-6	Nylon	123156	123156		
4	Lubrication plug assembly	—		12314PA	12314PA	1	
5	Bumper assembly	Standard	—	123413A-1(12)	123528A	1	
				123413A-2(14)			
				123417A(12) ^{Note 1)}	123528-1A		
				123416A(14) ^{Note 1)}			
6	Needle stud assembly	Standard	—	123128PA	123128PA	1	
				124232A	124232A		
7	Siphon tube assembly	Standard	—	123321-1A	123321-1A	1	
				-1	123321-4A		123321-4A
8	Sight dome seal	Urethane rubber		12318	12318	1	
9	Siphon nut seal	Urethane rubber		123111	123111	1	
10	O-ring	NBR		113136	113136	1	
11	O-ring	NBR		KA00466	KA00466	1	
12	Bumper retainer assembly	-2, -8	—	123032A	—	1	
13	Bumper retainer seal	Standard	—	123058	—	1	
				-2	C4SL		C4SL
				-3	C4SL-2		C4SL-2
				-6	C4SL-3		C4SL-3
				-8	C4SL-6		C4SL-6
				-1	C4LL-8		C4LL-8
				-1S-1	800147AP		800147AP
				-1S-2	800147A-S1P		800147A-S1P
					800147A-S2P		800147A-S2P
15	O-ring	NBR		C4SFP-260S	C4SFP-260S	1	

Note 1) Description: Bumper assembly
 Note 2) O-ring ⑮ is attached.

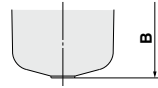
Dimensions

AL800/900

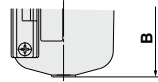


Semi-standard

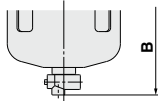
Metal bowl



Metal bowl with level gauge



With drain cock

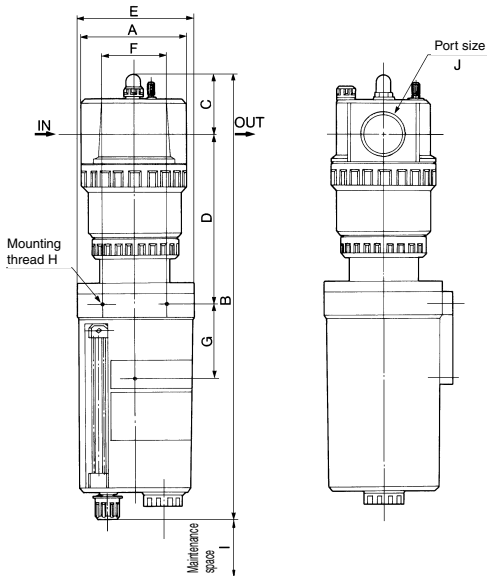


Semi-standard/Dimensions

Model	Port size D	A	B	C	E
AL800	1 1/4, 1 1/2	100	286	59	125
AL900	2	100	292	63	125

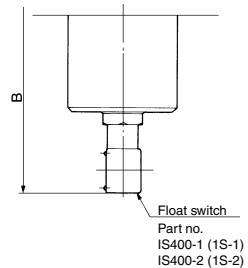
Model	B		
	Metal bowl	Metal bowl with level gauge	With drain cock
AL800	286	306	297
AL900	292	312	303

Semi-standard/1000 cm³ Tank



Float switch

Contact point capacity: AC: 15 VA, DC: 15 W
Contact point construction: 1a, 1b



Model	Port size J	A	B*	C	D	E	F	G	H	I
AL800-12 to 14-1	1 1/4, 1 1/2	100	431 (481)	59	166	ø117	60	73	3 x M5 x 0.8 x depth 6	230
AL900-20-1	2	100	437 (487)	63	162	ø117	60	73	3 x M5 x 0.8 x depth 6	230

* (): With float switch