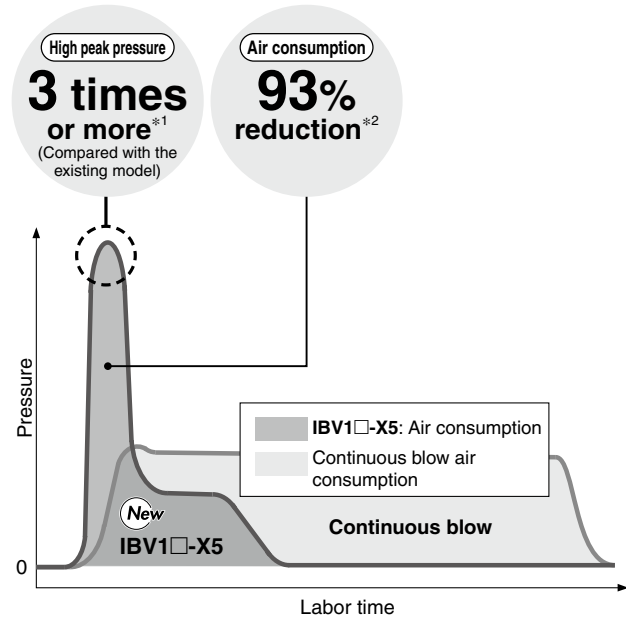


Impact Blow Valve

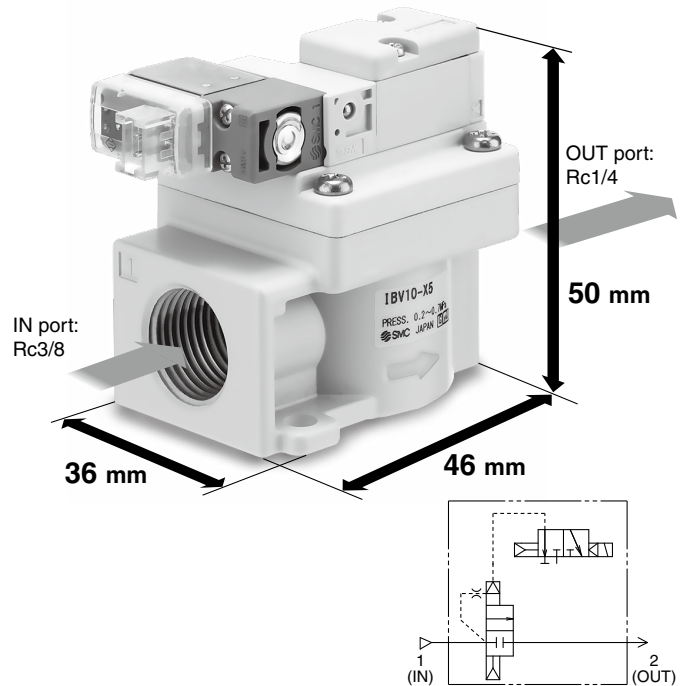
Increased impact force due to higher peak pressure
Drastic reduction in air consumption and labor time



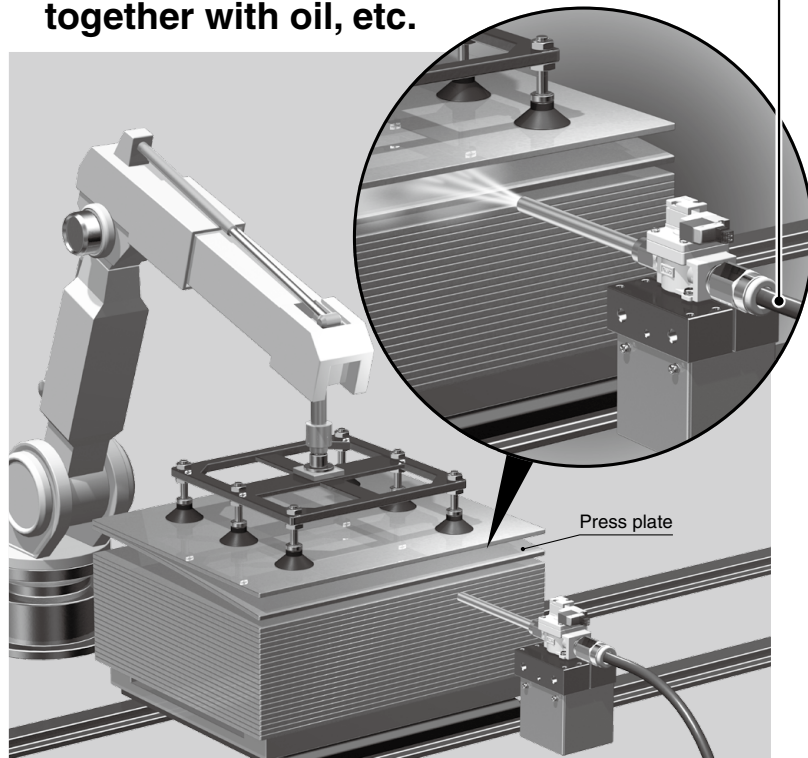
*1 According to blow conditions
When the piping volume is 100 cc (Piping I.D. ϕ 13, 800 mm)
*2 Pressure: 0.5 MPa (Based on SMC's specific testing conditions)

Compact design allows for installation in narrow spaces

Solenoid Type/IBV1□-X5/X7(-Q)



■ For the separation of workpieces stuck together with oil, etc.



■ Use of piping instead of tanks (Tankless construction)

- Miniaturization of valves
- Instantaneous discharge and high peak pressure

The peak pressure can be adjusted by the inlet piping volume.

I.D.	Length [mm]	Peak pressure (Compared with the existing model)
ϕ 8	2000	2 times
ϕ 10	1300	2.5 times
ϕ 13	800	3 times

* Based on SMC's measurement conditions
* Oscillation may occur if only a minimal amount of air is supplied. Use inlet piping with an inside diameter of ϕ 8 or more, and take measures to prevent the pressure from dropping as much as possible.

Sold Separately

Long nozzle

Nozzle length:
50/100/150/300 mm

Long nozzle with a silencer

80 dB(A)^{*1} or less

*1 Based on SMC's measurement conditions
· Supply pressure: 0.5 MPa
· Inlet side piping conditions: 100 cc

IBV1□-X5/X7(-Q)



IBV1□-X5/X7(-Q)

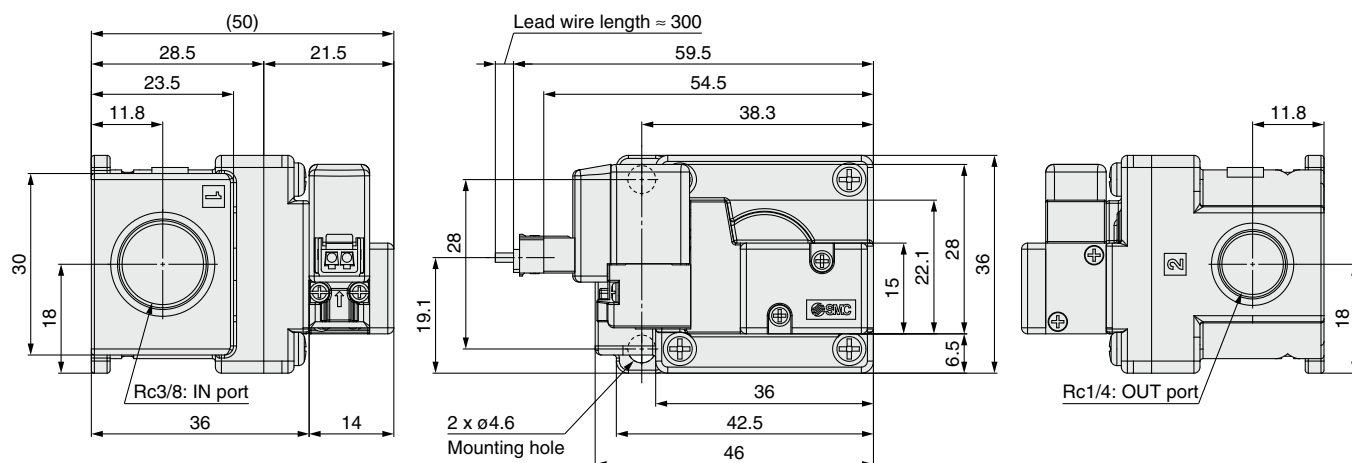
Specifications

Model		L plug connector specifications IBV1□-X5	M8 connector specifications IBV1□-X7
Valve specifications	Fluid	Air	
	Operating pressure range	0.15 to 0.7 MPa	
	Ambient temperature	+5 to 50°C	
	Fluid temperature	+5 to 50°C	
	Impact/Vibration resistance m/s ²	150/30	
Enclosure		Dustproof	IP65
Solenoid specifications	Coil rated voltage	24 VDC	
	Power consumption	0.35 W	
	Allowable voltage fluctuation	±10% of rated voltage	
	Allowable leakage voltage	3% or less of rated voltage	
	Lead wire	HVSF, 0.3 mm ² , ø1.55 mm	AWG25

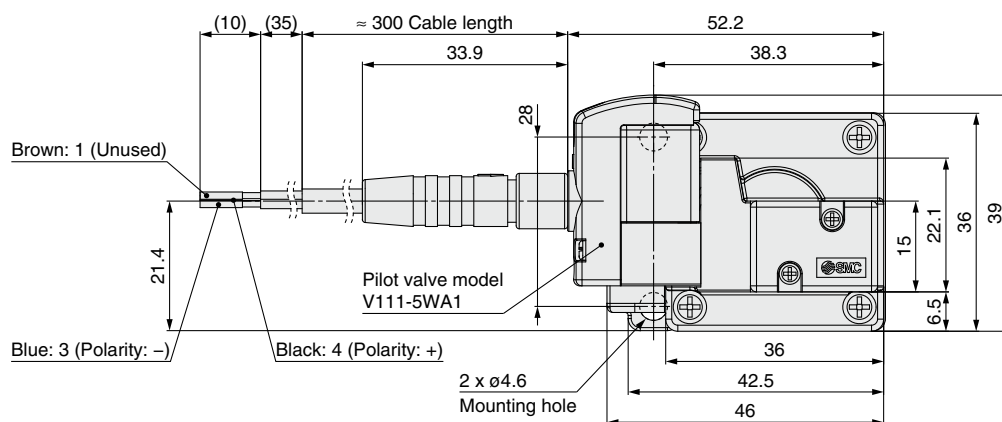
* "-Q" for CE/UKCA-compliant products

Dimensions

L Plug Connector Specifications



M8 Connector Specifications



Use Precautions

The air blow pressure is strong. Pay attention to the following when using the product.

1. Do not use this product with the product directed at the human body as it may cause injury.
2. Before use, make sure that the blow pressure, or blow, will not cause surrounding objects to scatter and injure others or damage workpieces, equipment, etc., in the vicinity.
3. Air pressure may cause the nozzle to fly off during operation if it is not properly tightened. To prevent this, be sure to check the nozzle for loosening by pulling on it with your hands before use.
4. If air is supplied from the air blow outlet by mistake, it may result in product failure.

Selection Precautions

1. This product is based on the concept that the piping volume connected to the inlet side can be used in place of a tank, making a built-in tank unnecessary. It is recommended that the inside diameter of the inlet piping be as thick as possible.

Example) Inlet volume: 100 cc (piping volume equivalent to IBG series)

- Piping I.D.: ø8 Length: 2000 mm
- Piping I.D.: ø10 Length: 1300 mm
- Piping I.D.: ø13 Length: 800 mm

* The blow pressure discharged can be adjusted by adjusting the inlet side piping conditions.

* When not enough air is being supplied, the main valve will oscillate, which may result in a reduced product life. Therefore, use inlet piping with an inside diameter of ø8 or more, and take measures to prevent the pressure from dropping as much as possible.

2. For the nozzle to be mounted on the outlet side, a dedicated nozzle is recommended. If operating noise is a concern, a silencing nozzle is also available.

Nozzle type	Part number
Dedicated nozzle	IBG1-12-10-□
Silencing nozzle	IBG1-12S
Set including the dedicated nozzle and silencing nozzle	IBG1-12-10-□S

* □: Nozzle length (50, 100, 150, 300)

3. The impact resistance and vibration resistance of this product are 150 [m/s²] and 30 [m/s²], respectively. Be sure to prevent impact or vibration exceeding the allowable values from being applied to the product.

⚠ Safety Instructions Be sure to read the "Handling Precautions for SMC Products" (M-E03-3) and "Operation Manual" before use.

SMC Corporation

Akihabara UDX 15F,
4-14-1, Sotokanda, Chiyoda-ku, Tokyo 101-0021, JAPAN
Phone: 03-5207-8249 Fax: 03-5298-5362
<https://www.smcworld.com>
© 2021 SMC Corporation All Rights Reserved

Specifications are subject to change without prior notice and any obligation on the part of the manufacturer.