



ORIGINAL INSTRUCTIONS

**Instruction Manual**  
**Step Motor Controller (24 VDC Servo)**  
**High Performance type**  
**Series JXC5H##-# / JXC6H##-#**



The intended use of the step motor controller is to control the movement of an electric actuator in response to step data and electrical inputs.

**1 Safety Instructions**

These safety instructions are intended to prevent hazardous situations and/or equipment damage. These instructions indicate the level of potential hazard with the labels of "Caution," "Warning" or "Danger." They are all important notes for safety and must be followed in addition to International Standards (ISO/IEC) (1), and other safety regulations.

- IEC 60204-1: Safety of machinery - Electrical equipment of machines. (Part 1: General requirements)
- ISO 10218-1: Robots and robotic devices - Safety requirements for industrial robots - Part 1: Robots.
- Refer to product catalogue, Operation Manual and Handling Precautions for SMC Products for additional information.
- Keep this manual in a safe place for future reference.

<b>Caution</b>	Caution indicates a hazard with a low level of risk which, if not avoided, could result in minor or moderate injury.
<b>Warning</b>	Warning indicates a hazard with a medium level of risk which, if not avoided, could result in death or serious injury.
<b>Danger</b>	Danger indicates a hazard with a high level of risk which, if not avoided, will result in death or serious injury.

**Warning**

- Always ensure compliance with relevant safety laws and standards.
- All work must be carried out in a safe manner by a qualified person in compliance with applicable national regulations.

**2 Specifications**

**2.1 General specifications**

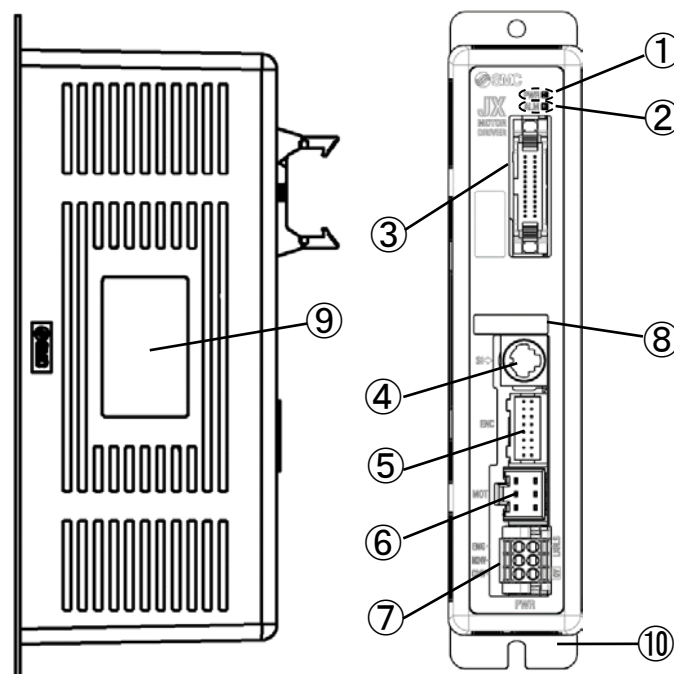
Item	Specifications
Compatible motor	Step motor (servo 24 VDC)
Power supply voltage	24 VDC +/-10% (motor drive control, stop, lock brake release).
Current consumption	3A (Peak 5A) maximum
Parallel Inputs	11 inputs (photo-coupler isolation)
Parallel Outputs	13 outputs (photo-coupler isolation)
Serial communication	RS485
Lock control	Forced lock release terminal (applicable to non-magnetizing lock).
Cable length	I/O cable: 5 m maximum Actuator cable: 20 m maximum
Cooling method	Natural air-cooling
Operating temperature	0°C to 40°C (No freezing)
Storage temperature	-10°C to 60°C (no freezing)
Operating / storage humidity	90% RH or less (no condensation)
Insulation resistance	50 MΩ (500 VDC) between external terminals and case
Weight	180 g (Direct mounting type) 200 g (DIN rail mounting type)

**2 Specifications (continued)**

**Warning**

Special products (-X) might have specifications different from those shown in this section. Contact SMC for specific drawings.

**3 Name and function of individual parts**



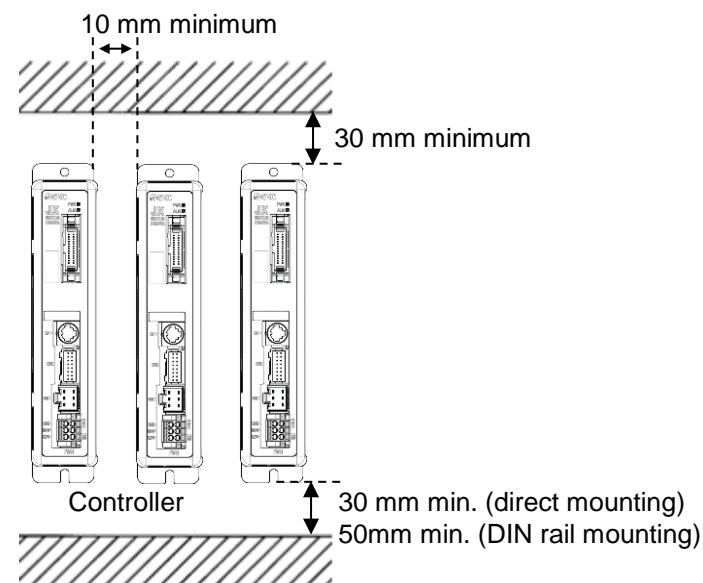
No.	Name	Description
①	PWR LED (Green)	LED to indicate power ON and data being written (flashing).
②	ALM LED (Red)	LED to indicate Alarm condition.
③	Parallel I/O connector (26 pins)	Connector for I/O connection to PLC (11 inputs, 13 outputs and COM).
④	Serial I/O connector (8 pin) SI	Connector for the teaching box (LEC-T1) or the controller communication cable (JXC-W2A-C).
⑤	Encoder connector (16 pin) ENC	Connector for actuator cable.
⑥	Motor power connector (6 pin) MOT	
⑦	Power supply connector (6 pin) PWR	Connector for controller power supply (24 VDC) using the power supply plug. Control power (+), Stop signal (+), Motor power (+), Lock release (+), Common power (-)
⑧	Applicable electric actuator model number label	Label indicating the electric actuator model number which can be connected to the controller.
⑨	Controller label	Label indicating the model number of the controller.
⑩	FG	Functional Ground (When the controller is mounted, tighten screws and connect the grounding cable).

**4 Installation**

**4.1 Installation**

**Warning**

- Do not install the product unless the safety instructions have been read and understood.
- Design the installation so that the temperature surrounding the controller is 40°C max. Leave enough space between the controllers so that the operating temperature of the controllers remains within the specification range.
- Mount the controller vertically with 30 mm minimum space on the top and bottom of the controller as shown below.
- Allow 60 mm minimum space between the front of the controller and a door (lid) so that the connectors can be connected and disconnected.



**4.2 Mounting**

- The controller can be direct mounted (model JXC5H7#) using screws or mounted on a DIN rail (model JXC5H8#).
- When using DIN rail mounting, hook the controller on the DIN rail and press the lever down to lock it.

**Caution**

If the mounting surface for the controller is not flat or is uneven, excessive stress may be applied to the enclosure, which can cause failure. Be sure to mount on a flat surface.

**4.3 Environment**

**Warning**

- Do not use in an environment where corrosive gases, chemicals, salt water or steam are present.
- Do not use in an explosive atmosphere.
- Do not expose to direct sunlight. Use a suitable protective cover.
- Do not install in a location subject to vibration or impact in excess of the product's specifications.
- Do not mount in a location exposed to radiant heat that would result in temperatures in excess of the product's specifications.
- Avoid mounting the controller near a vibration source, such as a large electromagnetic contactor or circuit breaker on the same panel.
- Do not use in an environment with strong magnetic fields present.

**4.4 Wiring**

**Caution**

- Do not perform wiring while the power is on.
- Confirm proper insulation of wiring.
- Do not route wires and cables together with power or high voltage cables.
- Keep wiring as short as possible to prevent interference from electromagnetic noise and surge voltage.
- Do not use an inrush current limited type of power supply for the controller.

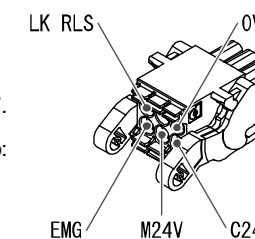
**4 Installation (continued)**

- Do not connect multiple wires to one connector terminal.

**Power Supply Connector**

Wire the power supply cable to the power supply plug connector, then insert it into connector PWR on the controller.

- Use special screwdriver (Phoenix Contact No. SZS0.4x2.0) to open / close lever and insert the wire into the connector terminal.
- Applicable wire size: 20 AWG (0.5 mm<sup>2</sup>).



Power supply connector.  
SMC Part No. JXC-CPW.

Phoenix Contact Part No:  
DFMC1,5/3-ST-LR

Pin No.	Terminal	Function	Description
1	C24V	Power supply (+)	Positive control power.
2	M24V	Motor power (+)	Positive power for the actuator motor supplied via the controller.
3	EMG	Stop (+)	Positive power for emergency stop signal
4	0V	Common power (-)	Negative common power for M24V, C24V, EMG and LK RLS.
5	-	NC	Not connected
6	LK RLS	Unlocking (+)	Positive power for lock release.

**Power Supply Wire specifications**

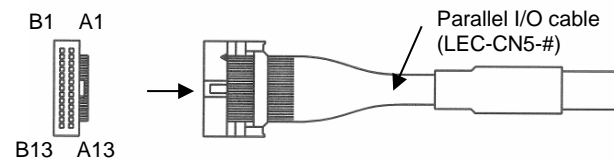
Prepare the wiring according to the following specifications (to be prepared by the user).

Item	Specifications
Applicable wire size	<ul style="list-style-type: none"> <li>Single stranded wire AWG20 (0.5 mm<sup>2</sup>)</li> <li>Rated temperature of insulation should be 60°C or more.</li> <li>The OD should be ø2.5 mm or less.</li> </ul>
Stripped wire length	8 mm

## 4 Installation (continued)

### Parallel I/O Connector

- When connecting the parallel I/O connector to a PLC use an SMC parallel I/O cable (LEC-CN5-#).
- There are 2 types of parallel I/O with this controller: NPN type and PNP type. Check the polarity required before use. The parallel I/O wiring should be prepared according to the polarity.



Input Terminals	
No.	Function
A1	COM+
A2	COM-
A3	IN0
A4	IN1
A5	IN2
A6	IN3
A7	IN4
A8	IN5
A9	SETUP
A10	HOLD
A11	DRIVE
A12	RESET
A13	SVON

Output Terminals	
No.	Function
B1	OUT0
B2	OUT1
B3	OUT2
B4	OUT3
B5	OUT4
B6	OUT5
B7	BUSY
B8	AREA
B9	SETON
B10	INP
B11	SVRE
B12	ESTOP
B13	ALARM

For further details of the Parallel I/O wiring refer to the Operation Manual on the SMC website (URL: <https://www.smcworld.com>).

### 4.5 Ground connection

- Place a ground cable with crimped terminal under one of the M4 mounting screws with a shakeproof washer and tighten the screw.

#### ⚠ Caution

The M4 screw, cable with crimped terminal and shakeproof washer must be prepared by the user.

The controller must be connected to Ground to reduce noise. If higher noise resistance is required, ground the 0 V (signal ground). When grounding the 0 V, avoid flowing noise from ground to 0 V.

- A dedicated Ground connection must be used. Grounding should be to a D-class ground (ground resistance of 100 Ω maximum).
- The cross-sectional area of the ground cable shall be 2 mm<sup>2</sup> minimum.
- The Grounding point should be as near as possible to the controller. Keep the grounding cable as short as possible.

## 5 Setting

In order to move the electric actuator to a specific position, it is necessary to set up the patterns of operation with a PC using the controller setting software or by using a teaching box. This set up data will be recorded in the memory of the controller.

Refer to the Operation Manual on the SMC website (URL: <https://www.smcworld.com>) for further setting details.

## 6 LED Display

Refer to the table below for details of the LED status.

	LED	Description
PWR	OFF	Power is not supplied
	Green LED is ON	Power is supplied
	Green LED is flashing	EEPROM memory writing
ALM	OFF	Normal operation
	Red LED is ON	Controller Alarm generated

## 7 How to Order

Refer to the catalogue on the SMC website (URL: <https://www.smcworld.com>) for the How to Order information.

## 8 Outline Dimensions (mm)

Refer to the drawings / operation manual on the SMC website (URL: <https://www.smcworld.com>) for outline dimensions.

## 9 Maintenance

### 9.1 General Maintenance

#### ⚠ Caution

- Not following proper maintenance procedures could cause the product to malfunction and lead to equipment damage.
- Before performing maintenance, turn off the power supply. Check the voltage with a tester 5 minutes after the power supply is turned OFF.
- If any electrical connections are disturbed during maintenance, ensure they are reconnected correctly and safety checks are carried out as required to ensure continued compliance with applicable national regulations.
- Do not make any modification to the product.
- Do not disassemble the product, unless required by installation or maintenance instructions.

#### ⚠ Caution

- Maintenance should be performed according to the procedure indicated in the Operation Manual.
- When equipment is serviced, first confirm that measures are in place to prevent dropping of work pieces and run-away of equipment, etc, then cut the power supply to the system. When machinery is restarted, check that operation is normal with actuators in the correct position.

#### ⚠ Warning

- Perform maintenance checks periodically.
- Confirm wiring and screws are not loose. Loose screws or wires may cause unexpected malfunction.
- Conduct an appropriate functional inspection and test after completing maintenance. In case of any abnormalities (if the actuator does not move, etc.), stop the operation of the system. Otherwise, an unexpected malfunction may occur and it will become impossible to ensure safety. Operate an emergency stop instruction to confirm safety.
- Do not put anything conductive or flammable inside of the controller.
- Ensure sufficient space around the controller for maintenance.

## 10 Limitations of Use

### 10.1 Limited warranty and Disclaimer/Compliance Requirements

Refer to Handling Precautions for SMC Products.

## 11 Product disposal

This product shall not be disposed of as municipal waste. Check your local regulations and guidelines to dispose of this product correctly, in order to reduce the impact on human health and the environment.

## 12 Contacts

Refer to [www.smcworld.com](https://www.smcworld.com) or [www.smc.eu](https://www.smc.eu) for your local distributor / importer.

## SMC Corporation

URL: <https://www.smcworld.com> (Global) <https://www.smc.eu> (Europe)  
 SMC Corporation, 4-14-1, Sotokanda, Chiyoda-ku, Tokyo 101-0021, Japan  
 Specifications are subject to change without prior notice from the manufacturer.  
 © 2021 SMC Corporation All Rights Reserved.  
 Template DKP50047-F-085M