

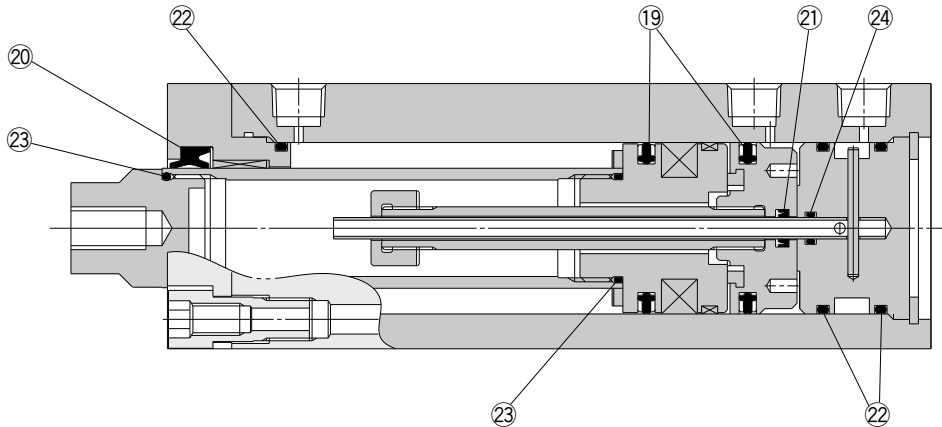
3 Position Cylinder

RZQ Series

ø32, ø40, ø50, ø63



Construction



* The numbers correspond with those in the "Construction" of the RZQ series in the **Web Catalog**.

Seal Kit List

No.	Description	Material	Note
19	Piston seal	NBR	23 is a non-replaceable part, so it is not included in the seal kit.
20	Rod seal A		
21	Rod seal B		
22	Gasket A		
23	Gasket B		
24	Gasket C		

Replacement Parts: Seal Kit

Bore size (mm)	Part no.	Contents
32	RZQ32-PS	Set of nos. 19, 20, 21, 22, 24
40	RZQ40-PS	
50	RZQ50-PS	
63	RZQ63-PS	

* Seal kits are sets consisting of items 19, 20, 21, 22 and 24 and can be ordered using the seal kit number for each cylinder bore size.

* Since the seal kit does not include a grease pack, it should be ordered separately.

Grease pack part no. GR-L-010 (10 g)

Actuators

Rotary Actuators
Air Grippers

Modular F.R.L.
Pressure Control Equipment

Air Preparation
Equipment

Industrial Filters

Replacement
Procedure

Actuators

Rotary Actuators
Air Grippers

Modular F.R.L.
Pressure Control Equipment

Air Preparation Equipment
Industrial Filters