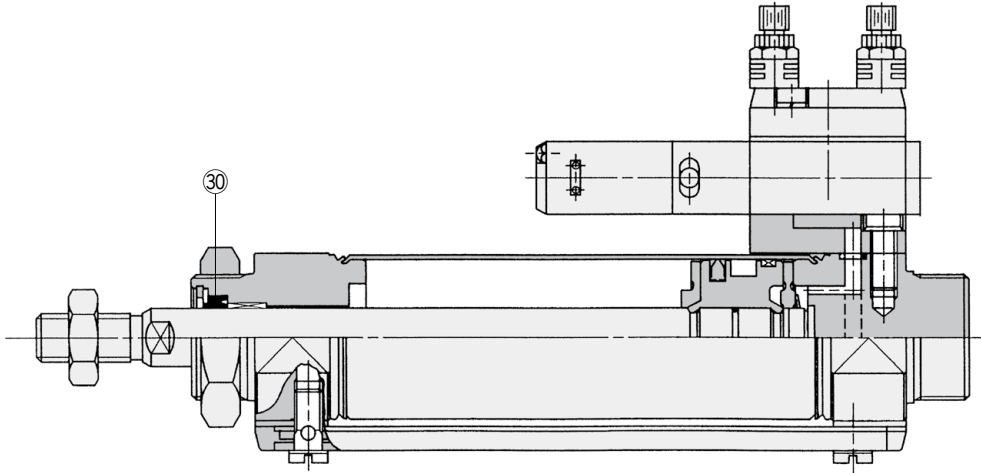


CVM5 Series ø20, ø25, ø32, ø40

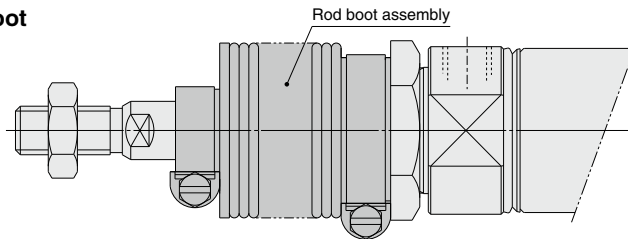


Construction



* The number corresponds with that in the "Construction" of the CVM5 series in the **Web Catalog**.

With rod boot



* Replaceable with the rod boot assembly
For details on replacement part numbers, refer to page 243.

Seal Kit List

No.	Description	Material	Note
30	Rod seal	NBR	

Replacement Parts: Seal Kit

Bore size (mm)	Part no.	Contents
20	CM220-PS	
25	CM225-PS	
32	CM232-PS	
40	CM240-PS	

* Since the seal kit does not include a grease pack, it should be ordered separately.

Grease pack part no.: GR-S-010 (10 g)