

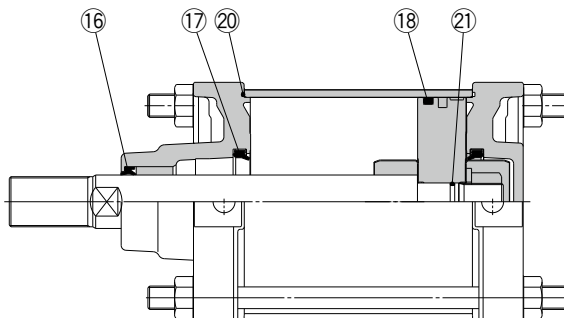
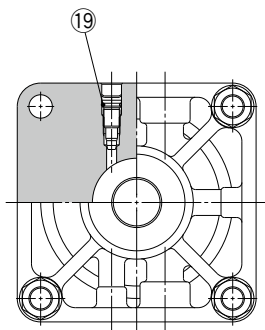
Air Cylinder

CS2 Series

ø125, ø140, ø160

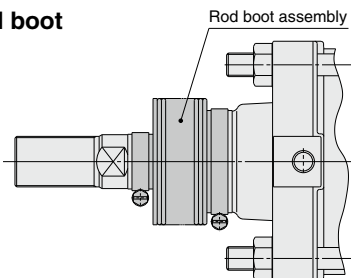
The Replacement Procedure is on p. 384

Construction



* The numbers correspond with those in the "Construction" of the CS2 series in the **Web Catalog**.

With rod boot



* Replaceable with the rod boot assembly
For details on replacement part numbers, refer to page 251.

Seal Kit List

No.	Description	Material	Note
16	Rod seal	NBR	19 and 21 are non-replaceable parts, so they are not included in the seal kit.
17	Cushion seal	Urethane	
18	Piston seal	NBR	
19	Valve seal	NBR	
20	Tube gasket	NBR	
21	Piston gasket	NBR	

Replacement Parts: Seal Kit

Bore size (mm)	Part no.	Contents
125	CS2-125A-PS	Set of nos. 16, 17, 18, 20
140	CS2-140A-PS	
160	CS2-160A-PS	

* The seal kit includes a grease pack (40 g).
Order with one of the following part numbers when only the grease pack is required.

Grease pack part no.: GR-S-010 (10 g), GR-S-020 (20 g)