

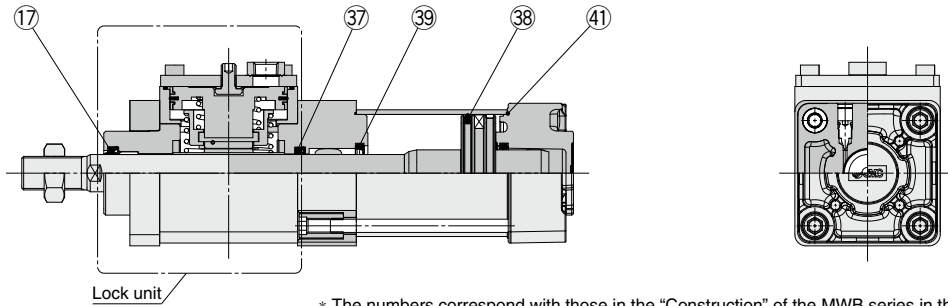
Cylinder with Lock/Double Acting, Single Rod

MWB Series

ø32, ø40, ø50
ø63, ø80, ø100

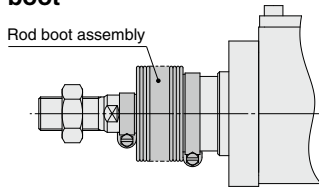
The Replacement Procedure is on p. 455

Construction



* The numbers correspond with those in the "Construction" of the MWB series in the **Web Catalog**.

With rod boot



* Replaceable with the rod boot assembly
For details on replacement part numbers, refer to page 245.

Component Parts

No.	Description	Material	Qty.	Note
17	Rod seal A	NBR	1	
37	Rod seal B		1	
38	Piston seal B	1		
39	Cushion seal	Urethane	2	
41	Cylinder tube gasket	NBR	2	

Replacement Parts: Seal Kit

Bore size (mm)	Kit no.	Contents
32	MWB32-PS	A set of 17 Rod seal A, 37 Rod seal B, 38 Piston seal B, 39 Cushion seal, and 41 Cylinder tube gasket
40	MWB40-PS	
50	MWB50-PS	
63	MWB63-PS	
80	MWB80-PS	
100	MWB100-PS	

* Never disassemble the lock unit. It should be replaced as a unit. The seal kit shown above contains the rod seal for the cylinder and lock unit. Order the seal kit suitable for the cylinder bore size.

* The seal kit shown above includes a grease pack.

(ø32, ø40, ø50: 10 g, ø63, ø80: 20 g, ø100: 30 g)
Order with one of the following part numbers when only the grease pack is required.

Grease pack part no.: GR-S-010 (10 g), GR-S-020 (20 g)

Lock Unit Replacement

Bore size (mm)	Port type	Replacement lock unit part no.
32	Rc	MWB32-UA
	NPT	MWB32TN-UA
	G	MWB32TF-UA
40	Rc	MWB40-UA
	NPT	MWB40TN-UA
	G	MWB40TF-UA
50	Rc	MWB50-UA
	NPT	MWB50TN-UA
	G	MWB50TF-UA
63	Rc	MWB63-UA
	NPT	MWB63TN-UA
	G	MWB63TF-UA
80	Rc	MWB80-UA
	NPT	MWB80TN-UA
	G	MWB80TF-UA
100	Rc	MWB100-UA
	NPT	MWB100TN-UA
	G	MWB100TF-UA

* For lock unit with a rod boot, add -J to the part number suffix.

Example) MWB50-UA-J